

EMHL-7 Makeup Mirror Installation Instructions 120 or 240 Volts

Electric Mirror 170 W Dayton St, Suite 106A, Edmonds, WA 98020 425-776-4946 888-218-9238

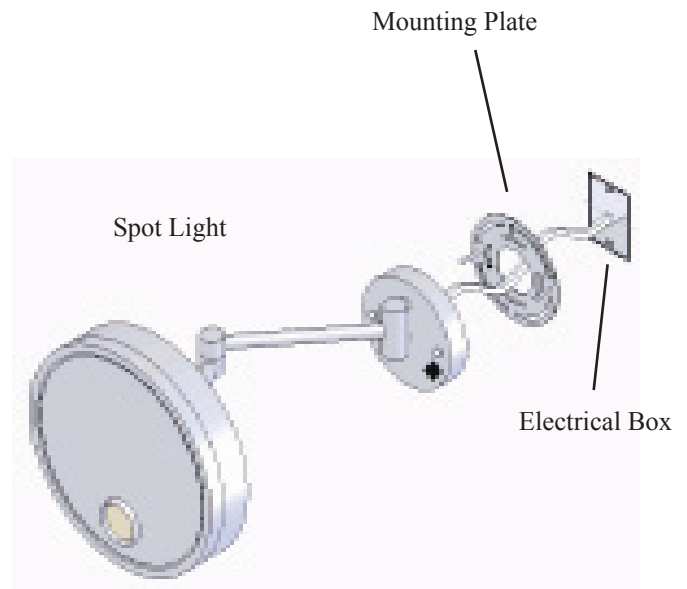


This fixture is UL approved only for hardwired installation. Do not add an extension cord. Cord connected models are available. For safety, please have this fixture installed by a qualified electrician.

For use in the Bathroom

Installation:

1. Turn off main power before installation.
2. Determine appropriate location and height. Recommend 58" from floor if used while standing.
3. Install standard 2 1/8" x 3" metal electrical box. The power requirements are .125 amps and 120 volts for the United States and .125 amps and 240 volts for International installations.
4. Remove decorative nuts from screws and separate mounting plate and decorative cover.
5. Hold mounting plate in position and thread screws through mounting plate into electrical box.
6. Connect wires, smooth wire side to hot wire, rough wire side to neutral wire.
7. Place decorative cover over mounting bracket by aligning holes with screws and secure unit snug with decorative nuts.
8. Turn on main power and switch.
9. To replace light bulb be sure power is off, remove mirror cover and replace 25W bulb. Only use a 25 watt bulb.



CAUTION

1. Getting wet will result in severe electrical shock or death.
2. Check the intended wall location for structural strength. Injury to persons and damage to mirror and/or mounting surface may result if mirror is pulled from the surface. To limit the likelihood of such injury or damage the electrical box must be mounted on a structurally sound wall material such as a wall stud. Be sure mirror is not in a position where it can reflect sunlight. Reflected sun light can cause fire. Makeup mirror is not for use in the shower or near tub.