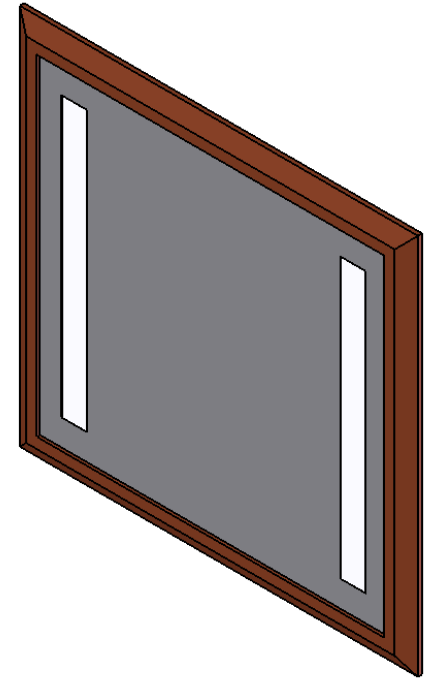
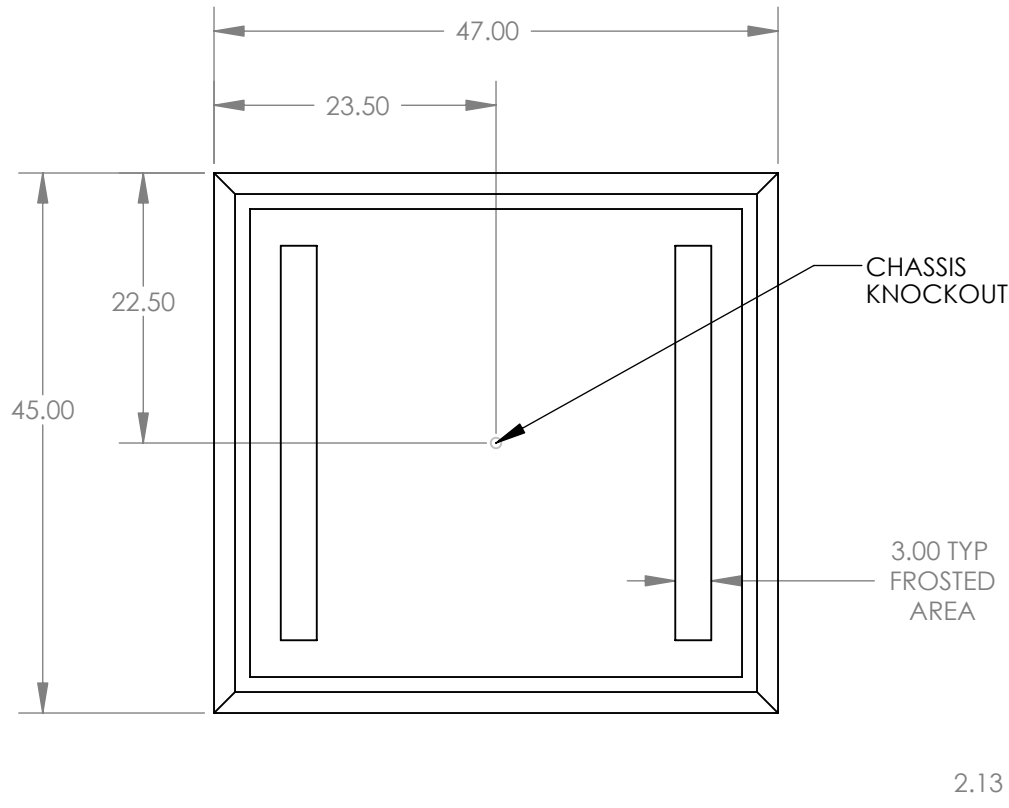


REV	DESCRIPTION	APPROVED BY	DATE



**SPECIFICATION:**

SPECIFY THE LIGHTING STATION ABOVE THE BATHROOM VANITY. THE TOP OF THE FIXTURE SHOULD BE A MINIMUM OF 6'6" OFF THE FINISHED FLOOR TO ACCOMMODATE THE HEIGHT OF A HOTEL GUEST.

THE MC CABLE IS BROUGHT IN THROUGH THE CHASSIS KNOCKOUT AND CONNECTED TO TERMINAL CONNECTOR. NO ELECTRICAL BOX REQUIRED. ELECTRICAL POWER SHOULD BE CONTROLLED BY A LIGHT SWITCH. 120 OR 240 VOLT VERSIONS.

FIXTURE SHOULD BE MOUNTED TO A MECHANICALLY SOUND SURFACE SUCH AS WALL STUDS TO SUPPORT ITS WEIGHT. MOUNTING HOLES ARE PROVIDED IN THE CHASSIS.

**POWER REQUIREMENTS:**

120 VOLTS, .7 AMPS

**LAMP SPECIFICATION:**

NOMINAL LENGTH (in): 36  
 NOMINAL WATTAGE: 39  
 BULB: 2 X T5  
 AVG RATED LIFE (hrs): 20000  
 CCT (K): 3000  
 LUMENS: 3100  
 CRI: 82

	NAME	DATE	ELECTRIC MIRROR, LLC © 2007	
DRAWN BY:	SY	4/17/07	TITLE:	
CHECKED BY:			REFLECTION-47.00X45.00	
PROJECT:			SIZE	DWG. NO.
<b>PROPRIETARY AND CONFIDENTIAL</b> THE INFORMATION CONTAINED IN THIS DRAWING IS THE SOLE PROPERTY OF ELECTRIC MIRROR L.L.C. ANY REPRODUCTION IN PART OR AS A WHOLE WITHOUT THE WRITTEN PERMISSION OF ELECTRIC MIRROR L.L.C. IS PROHIBITED. COPYRIGHT 2007.			A	WEB SPEC
			REV	A
DIMS IN INCHES		SCALE: 1:16	SHEET 1 OF 1	