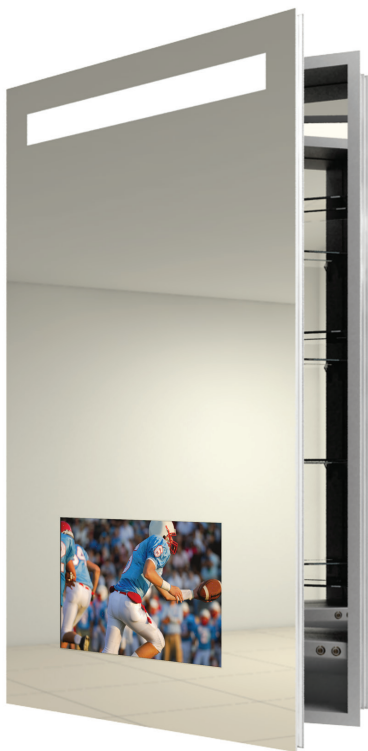


## RE-CREATION™ MIRRORED CABINET

Hospitality Performance Specification



The Re-Creation™ Mirrored Cabinet is a luxury fixture that highlights modern design by incorporating perfect horizontal lighting and a 15" HDTV with in an ultra-sleek cabinet door.

### THERE'S ONLY ONE ELECTRIC MIRROR™

Electric Mirror is the global leader in lighted mirrors and mirror TV technology. With unparalleled customer service and amazing innovation, Electric Mirror is the standard of luxury for five-star hotels, upscale commercial projects and designer homes.

#### FEATURES

- 15.4" LED HDTV and integrated audio
- High power energy efficient LED lighting
- Defogger (10.5" x 10.5") with internal switch
- Exceptional mirror reflectivity
- Sleek double-sided 3/4" mirrored door
- Mirrored interior
- Matte silver aluminum cabinet body
- Adjustable Diamond Clear™ extra white glass shelves
- HardCoat™ anti-corrosion mirror treatment
- 170 degree door opening angle (soft close)
- Interior 20 Amp, 120 VAC GFCI receptacle with two electrical outlets
- Rust resistant anodized aluminum chassis construction
- Proudly made in the USA
- Patent pending

#### LIGHTING

- Natural light color - Ideal for makeup application
- Power buttons for lights and defogger inside cabinet
- 50,000 hour energy efficient LED lighting
- CRI 85
- CCT (K) 3000

#### TV/AUDIO

- 15.6" LED HDTV integrated into mirror door
- AV mirror technology provides reflective surface when TV is off
- GlassWaves™ audio integrated into mirror door
- 720p, 1080i, 16:9 widescreen ratio
- Waterproof buoyant remote included
- HDMI and RF input
- Left/Right audio out
- ATSC/NTSC QAM TV Tuner
- Ideal 10 watt per channel integrated amplification

#### OPTIONS

- Left hinge (LT) or right hinge (RT)
- Recessed (RM) or surface mount (SM) includes mirror side kit
- 3/4" beveled edge
- 240 VAC version available
- Bose™ ceiling speaker
- IR Control
- Dimmable - Separate wall control required

#### SAFETY

- Tested to UL/U-C 962
- Mercury free environmentally sustainable lighting
- Designed for humid bathroom environment
- FCC Compliant

## RECREATION™ MIRRORED CABINET

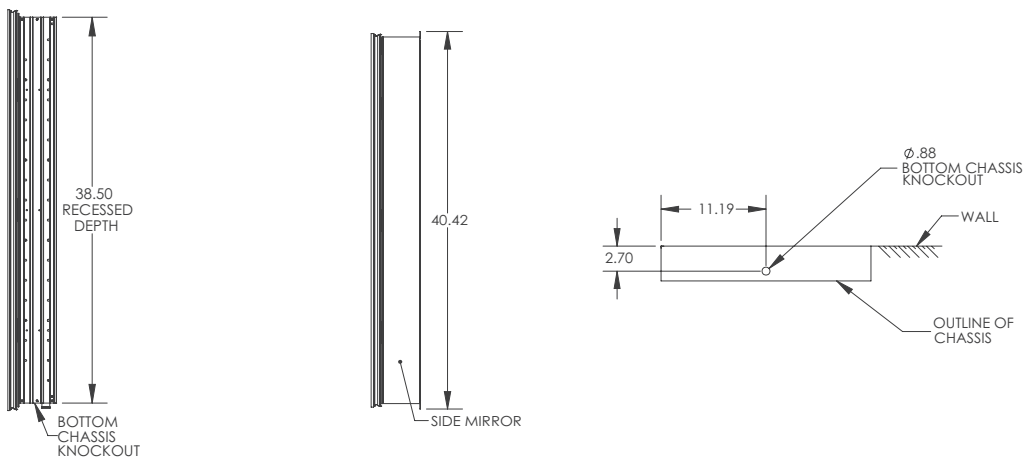
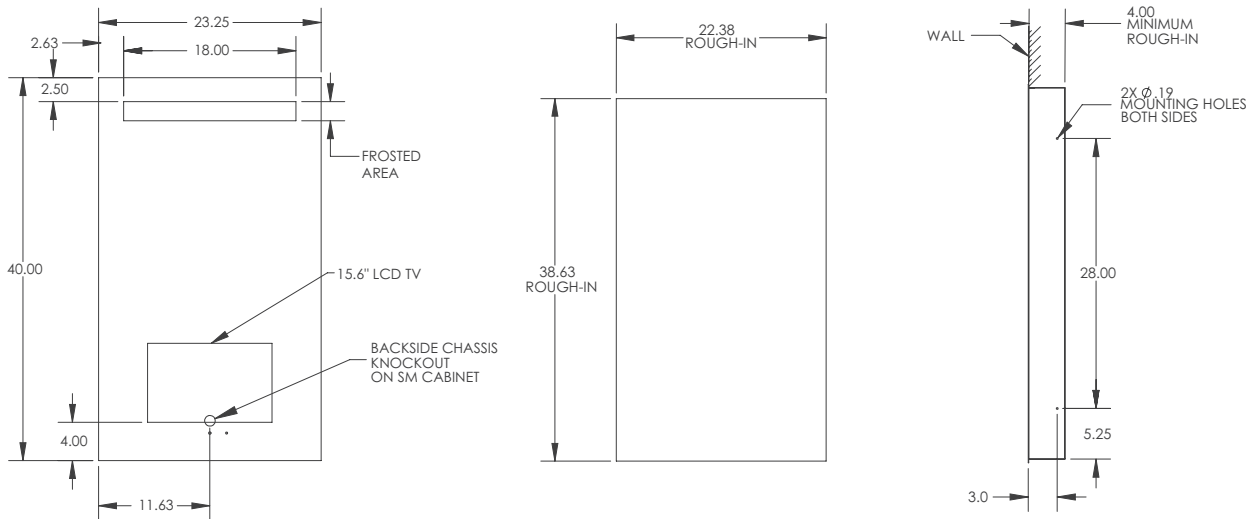
Hospitality Performance Specification

### SPECIFICATION

- The top of the mirrored cabinet above the bathroom vanity should be a minimum of 6' 6" above the finished floor.
- Electrical connections made with MC cable brought through the cabinet knockout, no electrical box required.
- Cabinet should be on a 20 amp unswitched circuit to accommodate a GFCI and cabinet should be controlled by a light switch.
- Fixture should be mounted to wall studs to provide sufficient support. Mounting holes are provided in the cabinet.
- For surface mounted versions, hanging hardware is provided.

MODEL NUMBER	DIMENSIONS	POWER REQUIREMENTS
REC-156-AV-23.25x40.00*	23.25" W x 40" H x 4" D 591mm x 1016mm x 102mm	120 VAC, .54 Amps, 65W, 20 amp GFCI

\*When making order, please note the following preferences: Right Hinge (RH) or Left Hinge (LH), Recessed Mount (RM) or Surface Mount (SM).



**PROPRIETARY AND CONFIDENTIAL:** The information contained in this specification is the sole property of Electric Mirror®. Any reproduction in part or in whole without written permission from Electric Mirror® is prohibited.

© 2012 ELECTRIC MIRROR®