

SERENITY™ LIGHTED MIRROR TV

Hospitality Performance Specification



The Serenity™ Lighted Mirror TV is a classic and elegant fixture featuring ethereal light glowing from within the wall.

THERE'S ONLY ONE ELECTRIC MIRROR™

Electric Mirror is the global leader in lighted mirrors and Mirror TV technology. With unparalleled customer service and amazing innovation, Electric Mirror is the standard of luxury for five-star hotels, upscale commercial projects and designer homes.

FEATURES

- Elife™-8 Years extended lamp replacement cycle
- 15.6" LED HDTV and integrated audio
- Zip fingerprint protection for edge frosted mirrors
- Natural light color ideal for makeup application
- HardCoat™ anti-corrosion mirror treatment
- Rust resistant powder coated metal construction
- Environmentally sustainable and energy efficient
- Proudly made in the USA
- Wall Glow
- Patented (US 7,805,260, US 8099247)
- Stainless steel hanger
- Welded Construction

LIGHTING

- Low-Mercury T5HO warm fluorescent (US Made)
- CRI 85
- CCT (K) 3000
- Average lamp life of 35,000 hours
- 50,000 cycle ballast
- Lamps can be seen from sides of mirror

KEY HOSPITALITY FEATURES (SEE GENESIS HOSPITALITY TV FOR DETAILS)

- Hospitality TV with channel mapping
- Bridgeport
- Portal software
- IR control
- Auto volume limiters

TV/AUDIO FEATURES

- Ultra thin 15.6" Electric Mirror LED HDTV (see TV specification)
- 720p, 1080i, 16:9 widescreen ratio
- 50,000 hour panel
- Low voltage and high voltage removable power supply
- Left/Right out and line level audio out
- Ideal 10 watt per channel integrated amplification
- HDMI, RF, and component connections
- ATSC/NTSC QAM TV tuner
- Micros™ integrated state-of-the-art mini-speakers for high quality stereo sound
- Waterproof buoyant master and guestroom remote
- Easy-fit TV mounting solution

TV/AUDIO OPTIONS

- Ultra thin 19" 1080p Full HD, Electric Mirror LED HDTV integrated into mirror (see TV specification)
- Bose™ ceiling mount speakers - flush white
- Clone Box

SERENITY™ LIGHTED MIRROR TV

Hospitality Performance Specification

MIRROR OPTIONS

- Diamond Clear™ extra white mirror
- Dimmable - Separate wall control required
- Defogger
- Nightlight
- Add Frame
- Custom Sizes
- Glass Shelf
- LED Digital Clock
- LED Lighting
- Side diffusers

SAFETY

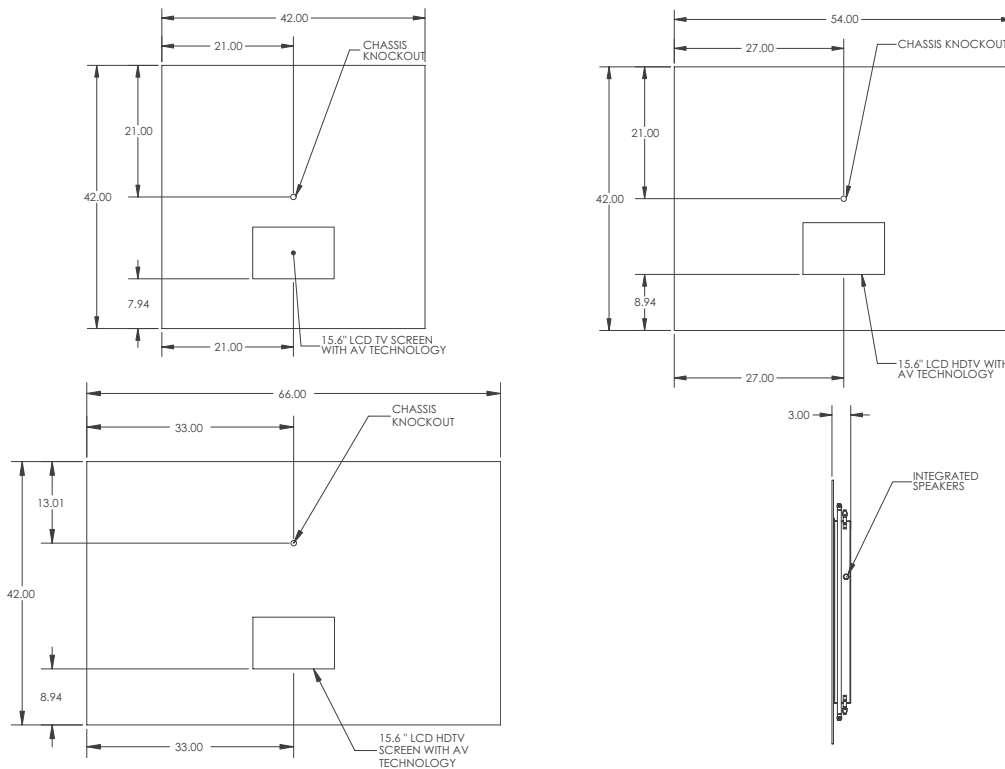
- Tested to UL/UL-C 962
- International Certifications
- LED Mercury free environmentally sustainable TV back lighting

- FCC Compliant
- Safety backed mirror

SPECIFICATION

- Specify the lighted mirror above the bathroom vanity where top of fixture should be minimum of 6' 6" off the finished floor.
- Electrical connections made with MC cable brought through the chassis knockout, no electrical box required.
- Electrical power for lighting should be controlled by a light switch.
- Unswitched recessed receptacle and wire port (EM Item # WP-01) for TV and video/audio connections.
- Fixture should be mounted to wall studs to provide sufficient support. Mounting holes are provided in the chassis.

MODEL NUMBER	DIMENSIONS	POWER REQUIREMENTS	LAMPING
SER-156-AV-42.00x42.00	42" W x 42" H x 3" D 1,067mm x 1,067mm x 76.5mm	120 - 277 VAC, 1.3 - .56 Amps, 156W	4 x T5HO, 39W, 3100 Lumens
SER-156-AV-54.00x42.00	54" W x 42" H x 3" D 1,372mm x 1,067mm x 76.5mm	120 - 277 VAC, 1.55 - .67 Amps, 186W	4 x T5HO, 39/54W, 3100/4200 Lumens
SER-156-AV-66.00x42.00	66" W x 42" H x 3" D 1,676mm x 1,067mm x 76.5mm	110 - 277 VAC, 2.16 - .85 Amps, 238W	4 x T5HO, 39/80W, 3100/5800 Lumens



PROPRIETARY AND CONFIDENTIAL: The information contained in this specification is the sole property of Electric Mirror®. Any reproduction in part or in whole without written permission from Electric Mirror® is prohibited.

© 2012 ELECTRIC MIRROR®