

CELEBRATION™ LIGHTED MIRROR

The Celebration™ Lighted Mirror illuminates the bathroom and vanity area with dual sources of natural light while the modern wood frame makes this a beautiful addition to contemporary decor.

THERE'S ONLY ONE™ ELECTRIC MIRROR®

Electric Mirror is the global leader in Lighted Mirrors and Mirror TV technology. With unparalleled customer service and amazing innovation, Electric Mirror is the standard of luxury for five-star hotels, upscale commercial projects and designer homes.

FEATURES

- E-Life™-8 Years Extended Lamp Replacement Cycle
- Brilliant Chassis Design for Increased Light Output
- Wood Urban Profile Frame
- Natural Light Color
- HardCoat™ Anti-Corrosion Mirror Treatment
- Environmentally Sustainable
- Energy Efficient
- Wall Glow
- Proudly Made in The USA
- Patented (US D579,671)

LIGHTING

- Low-Mercury T5HO Warm Fluorescent (US Made)
- CRI 85
- CCT (K) 3000
- Average Lamp Life of 35,000 Hours
- 50,000 Cycle Ballast

OPTIONS

- Custom Sizes Available
- Add a TV (See Celebration™ Lighted Mirror TV)
- Add Keen™ Technology
- Add Vive™ Technology
- Diamond Clear™
- Dimmable
- Defogger
- Night Light
- Glass Shelf
- LED Digital Clock
- LED Lighting

SAFETY

- Tested to UL/UL-C 1598 Including Section 16.23
- International Certifications
- Safety Backed Mirror

PROPRIETARY AND CONFIDENTIAL: The information contained in this specification is the sole property of Electric Mirror®. Any reproduction in part or in whole without written permission from Electric Mirror® is prohibited.

© 2014 ELECTRIC MIRROR®

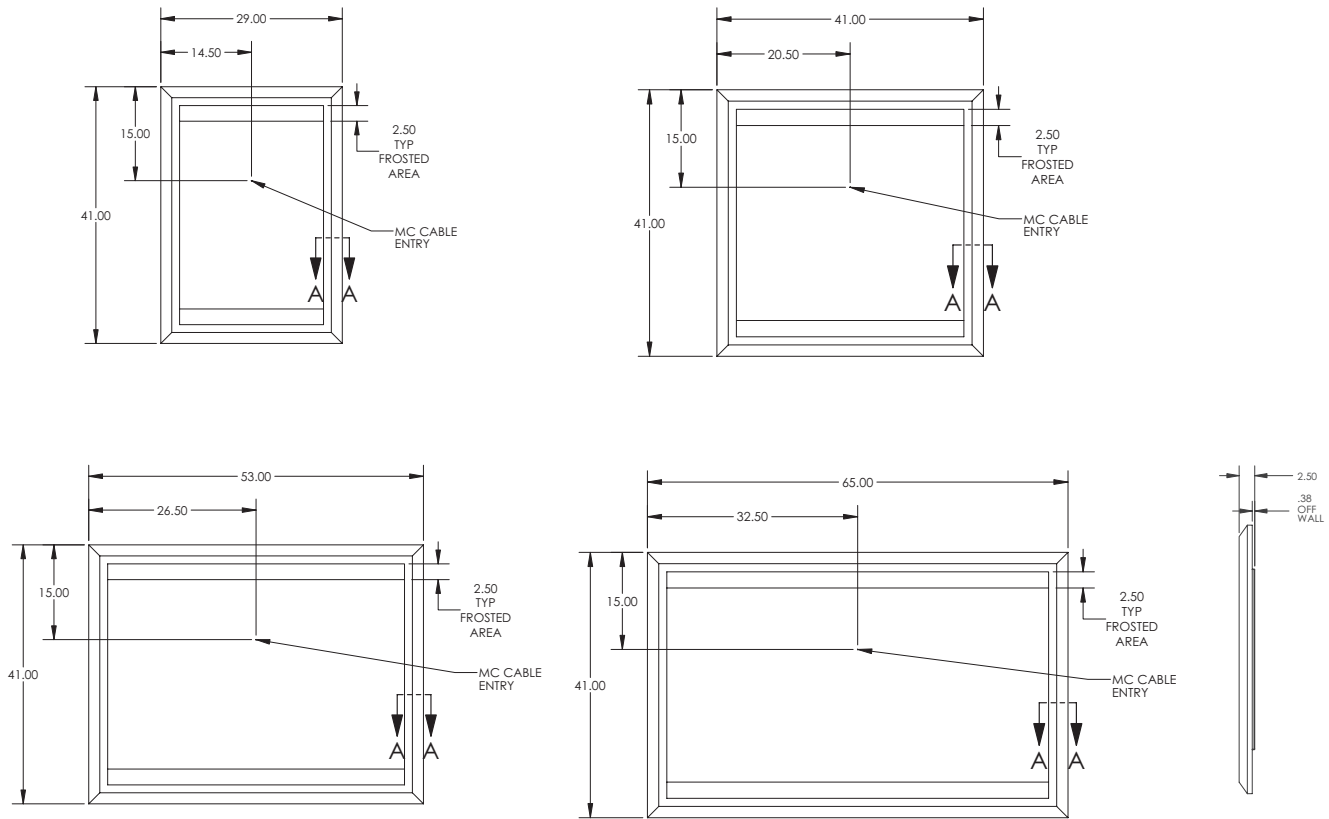
CELEBRATION™ LIGHTED MIRROR

SPECIFICATION

- The top of the lighted mirror above the bathroom vanity should be a minimum of 6' 6" above the finished floor.
- Electrical connections made with MC cable brought through the chassis knockout, no electrical box required.
- Electrical power should be controlled by a light switch.
- Fixture should be mounted to wall studs to provide sufficient support. Mounting holes are provided in the chassis.

MODEL NUMBER	DIMENSIONS	POWER REQUIREMENTS	LAMPING
CEB-MU0 □ -29.00x41.00	29" W x 41" H x 2.5" D 737mm x 1,041mm x 63.5mm	120 - 277 VAC, .43 - .17 Amps, 48W	2 x T5HO, 24W
CEB-MU0 □ -41.00x41.00	41" W x 41" H x 2.5" D 1,041mm x 1,041mm x 63.5mm	120 - 277 VAC, .65 - .28 Amps, 78W	2 x T5HO, 39W
CEB-MU0 □ -53.00x41.00	53" W x 41" H x 2.5" D 1,346mm x 1,041mm x 63.5mm	120 - 277 VAC, .90 - .39 Amps, 108W	2 x T5HO, 54W
CEB-MU0 □ -65.00x41.00	65" W x 41" H x 2.5" D 1,651mm x 1,041mm x 63.5mm	120 - 277 VAC, 1.33 - .57 Amps, 160W	2 x T5HO, 80W

□ - Indicates finish selection, see frame specification for details



PROPRIETARY AND CONFIDENTIAL: The information contained in this specification is the sole property of Electric Mirror®. Any reproduction in part or in whole without written permission from Electric Mirror® is prohibited.

© 2014 ELECTRIC MIRROR®