

**OVATION™ LIGHTED MIRROR**

The Ovation™ Lighted Mirror is a stylish, classically framed alternative to bathroom sconces, providing natural lighting for the user from both sides.

**THERE'S ONLY ONE™ ELECTRIC MIRROR®**

Electric Mirror is the global leader in Lighted Mirrors and Mirror TV technology. With unparalleled customer service and amazing innovation, Electric Mirror is the standard of luxury for five-star hotels, upscale commercial projects and designer homes.

**FEATURES**

- E-Life™-8 Years Extended Lamp Replacement Cycle
- Brilliant Chassis Design for Increased Light Output
- Wood Urban Profile Frame
- Natural Light Color
- HardCoat™ Anti-Corrosion Mirror Treatment
- Environmentally Sustainable
- Energy Efficient
- Wall Glow
- Proudly Made in The USA
- Patented (US D579,671)

**LIGHTING**

- Low-Mercury T5HO Warm Fluorescent (US Made)
- CRI 85
- CCT (K) 3000
- Average Lamp Life of 35,000 Hours
- 50,000 Cycle Ballast

**OPTIONS**

- Custom Sizes Available
- Add a TV (See Ovation Lighted Mirror TV)
- Add Keen™ Technology
- Add Vive™ Technology
- Diamond Clear™
- Dimmable
- Defogger
- Night Light
- Glass Shelf
- LED Digital Clock
- LED Lighting

**SAFETY**

- Tested to UL/UL-C 1598 Including Section 16.23
- International Certifications
- Safety Backed Mirror

**PROPRIETARY AND CONFIDENTIAL:** The information contained in this specification is the sole property of Electric Mirror®. Any reproduction in part or in whole without written permission from Electric Mirror® is prohibited.

© 2014 ELECTRIC MIRROR®

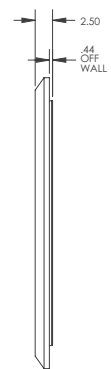
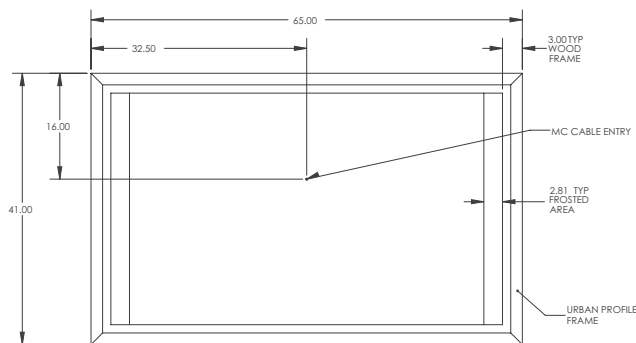
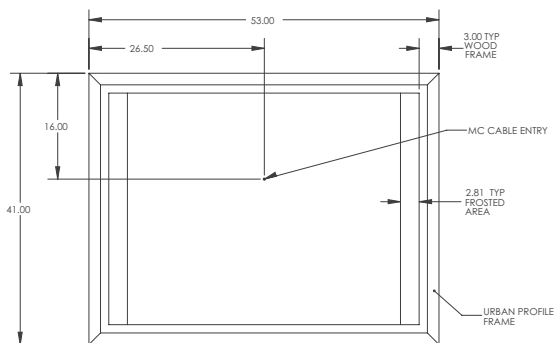
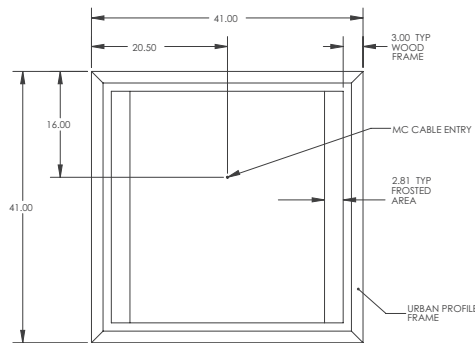
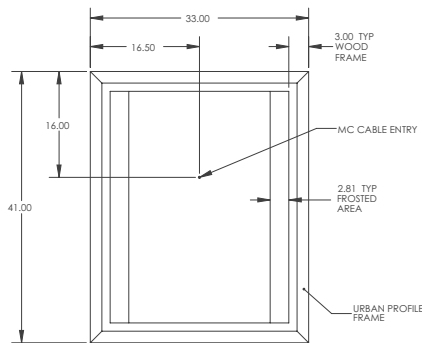
# OVATION™ LIGHTED MIRROR

## SPECIFICATION

- The top of the lighted mirror above the bathroom vanity should be a minimum of 6' 6" above the finished floor.
- Electrical connections made with MC cable brought through the chassis knockout, no electrical box required.
- Electrical power should be controlled by a light switch.
- Fixture should be mounted to wall studs to provide sufficient support. Mounting holes are provided in the chassis.

MODEL NUMBER	DIMENSIONS	POWER REQUIREMENTS	LAMPING
OVA-MU0□-33.00x41.00	33" W x 41" H x 2.5" D 838mm x 1,041mm x 63.5mm	120 - 277 VAC, .70 - .28 Amps, 78W	2 x T5HO, 39W
OVA-MU0□-41.00x41.00	41" W x 41" H x 2.5" D 1,041mm x 1,041mm x 63.5mm	120 - 277 VAC, .70 - .28 Amps, 78W	2 x T5HO, 39W
OVA-MU0□-53.00x41.00	53" W x 41" H x 2.5" D 1,346mm x 1,041mm x 63.5mm	120 - 277 VAC, .70 - .28 Amps, 78W	2 x T5HO, 39W
OVA-MU0□-65.00x41.00	65" W x 41" H x 2.5" D 1,651mm x 1,041mm x 63.5mm	120 - 277 VAC, .70 - .28 Amps, 78W	2 x T5HO, 39W

□ - Indicates finish selection, see frame specification for details



**PROPRIETARY AND CONFIDENTIAL:** The information contained in this specification is the sole property of Electric Mirror®. Any reproduction in part or in whole without written permission from Electric Mirror® is prohibited.

© 2014 ELECTRIC MIRROR®