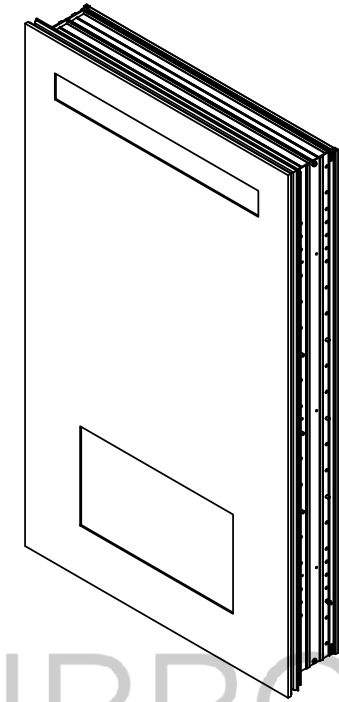
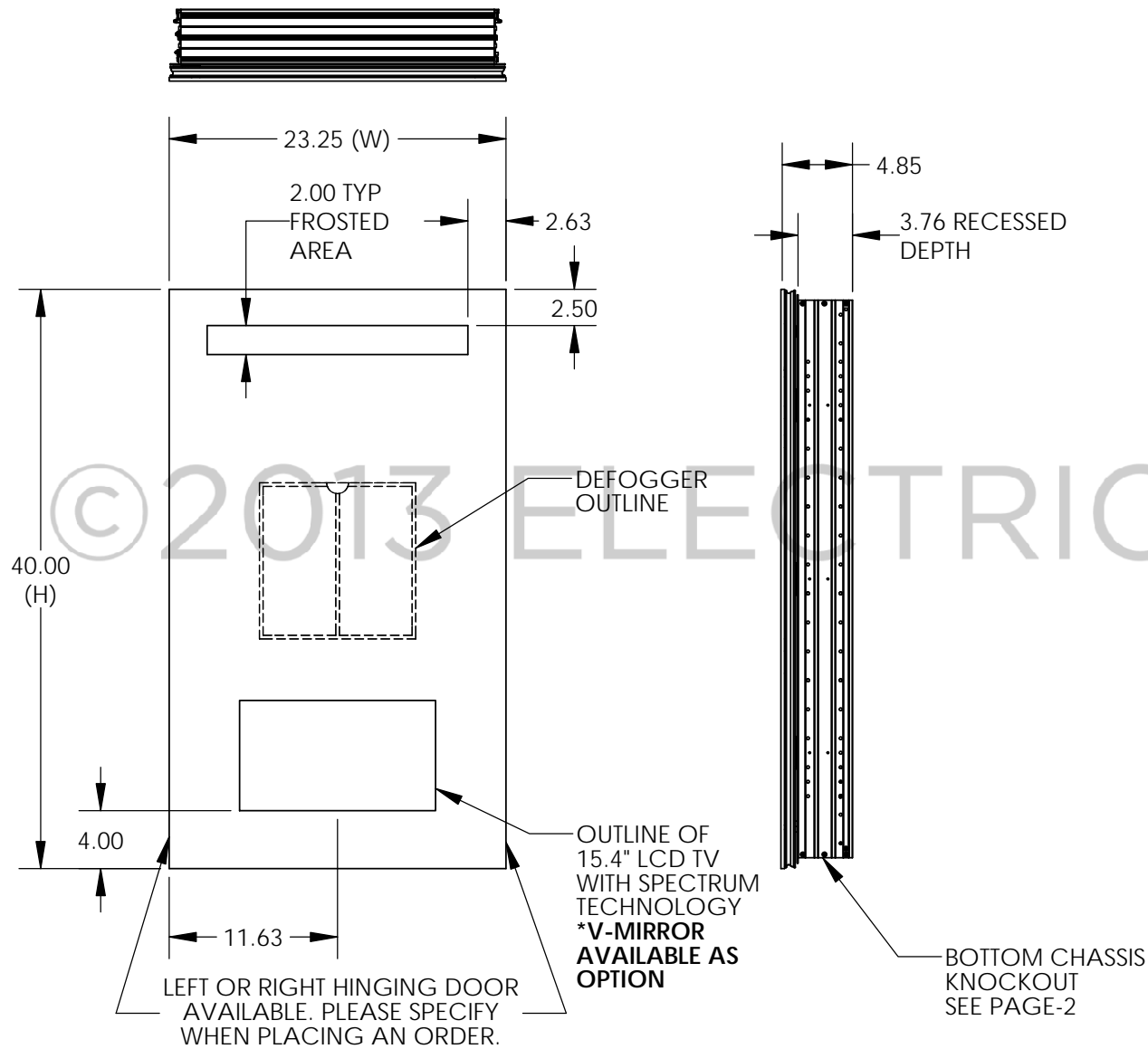


*BY APPROVING THIS DRAWING YOU ARE ENSURING THAT THESE DIMENSIONS HAVE BEEN FIELD VERIFIED.

APPROVED BY: _____ DATE: _____

REVISION REQUESTED



SPECIFICATION:

THE MC CABLE AND RF OR HDMI CONNECTIONS ARE BROUGHT IN THROUGH THE BOTTOM SIDE CHASSIS KNOCKOUT AND CONNECTED TO WIRE DISCONNECT. NO ELECTRICAL BOX REQUIRED. CABINET MAY BE ON DEDICATED HOT CIRCUIT OR CONTROLLED BY LIGHT SWITCH. ELECTRICAL POWER TO TV SHOULD BE SEPARATE, UNSWITCHED.

SEE INSTALLATION INSTRUCTIONS FOR WIRING DETAIL. *DIMMING COMPATIBLE, SEE INSTALLATION INSTRUCTIONS FOR WIRING DETAIL.

FIXTURE SHOULD BE MOUNTED TO A MECHANICALLY SOUND SURFACE SUCH AS WALL STUDS TO SUPPORT ITS WEIGHT. MOUNTING HOLES ARE PROVIDED IN THE CABINET.

LED SPECIFICATION:

TYPE: HI-POWER LED
 AVG RATED LIFE (hrs): 50,000
 CCT (k): 3000
 CRI: 85

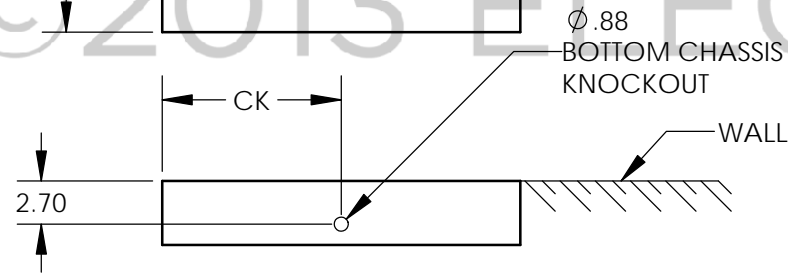
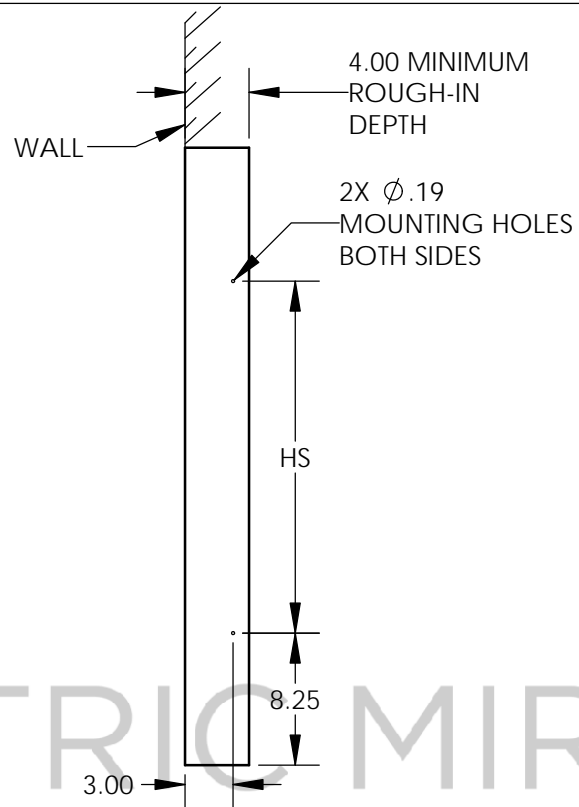
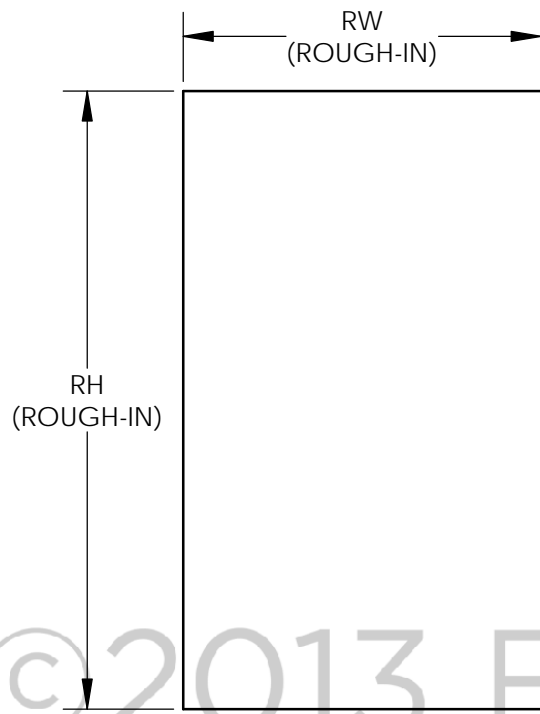
ELECTRIC MIRROR [®] 2014 **RE-CREATION RECESSED MOUNT**

SALES AID - 02/05/2014

PROPRIETARY AND CONFIDENTIAL:

THE INFORMATION CONTAINED IN THIS DRAWING IS THE SOLE PROPERTY OF ELECTRIC MIRROR L.L.C. ANY REPRODUCTION IN PART OR AS A WHOLE WITHOUT THE WRITTEN PERMISSION OF ELECTRIC MIRROR L.L.C. IS PROHIBITED. © 2014 ELECTRIC MIRROR

DIMS IN INCHES	REV. A
SCALE: 1:12	PG.1 OF 2
CONTACT US: consultants@electricmirror.com T+1.425.776.4946	



WALL MOUNTING DETAILS

MODEL SIZE	W	H	RW	RH	HS	CK	DEFOGGER	AMPS @ 120V
REC-154-AV-19.25X40.00	19.25	40	18.38	38.63	22	9.19	10X10	0.43
REC-154-AV-23.25X40.00	23.25	40	22.38	38.63	22	11.19	10X10	0.46

ELECTRIC MIRROR®

RE-CREATION RECESSED MOUNT

SALES AID - 02/05/2014

PROPRIETARY AND CONFIDENTIAL:

THE INFORMATION CONTAINED IN THIS DRAWING IS THE SOLE PROPERTY OF ELECTRIC MIRROR L.L.C. ANY REPRODUCTION IN PART OR AS A WHOLE WITHOUT THE WRITTEN PERMISSION OF ELECTRIC MIRROR L.L.C. IS PROHIBITED. © 2014 ELECTRIC MIRROR

DIMS IN INCHES | REV. A

SCALE: 1:12 | PG.2 OF 2

CONTACT US:
consultants@electricmirror.com
T+1.425.776.4946