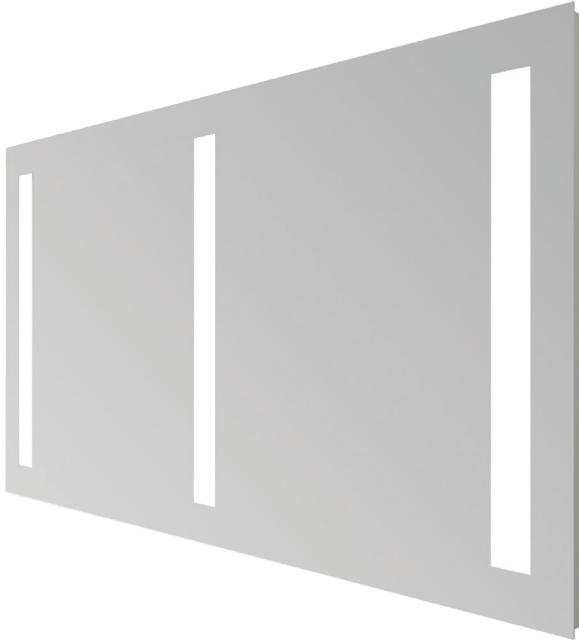


TRIPLE FUSION™ LIGHTED MIRROR



The Triple Fusion™ Lighted Mirror embodies modern innovation, clean lines, and efficient natural lighting that pairs well with a double vanity.

FEATURES

- E-Life™-8 Years Extended Lamp Replacement Cycle
- Natural Light Color
- HardCoat™ Anti-Corrosion Mirror Treatment
- Environmentally Sustainable
- Energy Efficient
- Patented (US D546,566)

LIGHTING

- Low-Mercury T5HO Warm Fluorescent (US Made)
- CRI 85
- CCT (K) 3000
- Average Lamp Life of 35,000 Hours
- 50,000 Cycle Ballast

OPTIONS

- Custom Sizes Available
- Add a TV (See Triple Fusion Lighted Mirror TV)
- Add Keen™ Technology
- Add Vive™ Technology
- Diamond Clear™
- Dimmable
- Defogger
- Night Light
- Glass Shelf
- LED Digital Clock
- LED Lighting
- Wall Glow
- EnergyLite™

SAFETY

- Tested to UL/UL-C 1598 Including Section 16.23
- International Certifications
- Safety Backed Mirror

THERE'S ONLY ONE™ ELECTRIC MIRROR®

Electric Mirror is the global leader in Lighted Mirrors and Mirror TV technology. With unparalleled customer service and amazing innovation, Electric Mirror is the standard of luxury for five-star hotels, upscale commercial projects and designer homes.

PROPRIETARY AND CONFIDENTIAL: The information contained in this specification is the sole property of Electric Mirror®. Any reproduction in part or in whole without written permission from Electric Mirror® is prohibited.

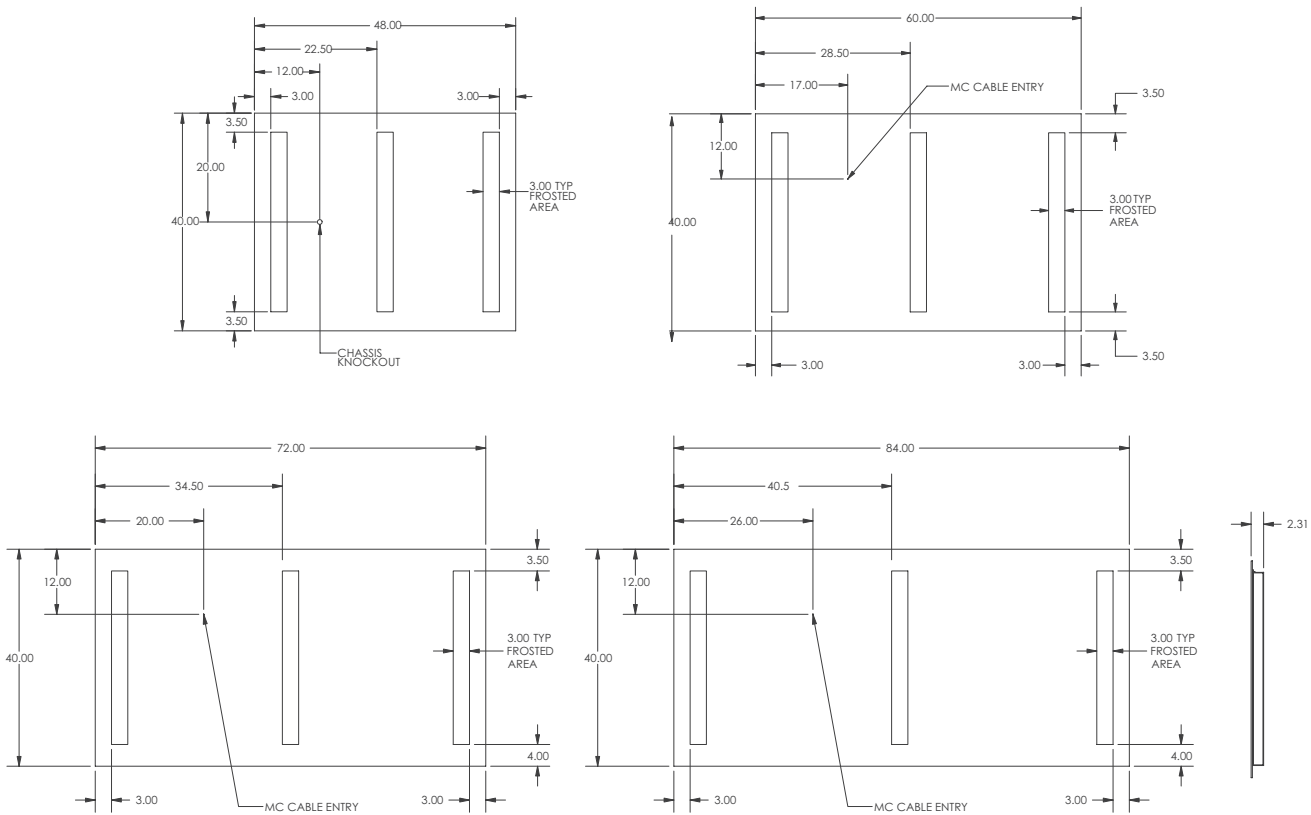
© 2014 ELECTRIC MIRROR®

TRIPLE FUSION™ LIGHTED MIRROR

SPECIFICATION

- The top of the lighted mirror above the bathroom vanity should be a minimum of 6' 6" above the finished floor.
- Electrical connections made with MC cable brought through the chassis knockout, no electrical box required.
- Electrical power should be controlled by a light switch.
- Fixture should be mounted to wall studs to provide sufficient support. Mounting holes are provided in the chassis.

| MODEL NUMBER | DIMENSIONS | POWER REQUIREMENTS | LAMPING |
|---------------------|---|-------------------------------------|---------------|
| FUS-TRI-48.00x40.00 | 48" W x 40" H x 1.75" D 1,219mm x 1,016mm x 44.5mm | 120 - 277 VAC, .98 - .42 Amps, 117W | 3 x T5HO, 39W |
| FUS-TRI-60.00x40.00 | 60" W x 40" H x 1.75" D 1,524mm x 1,016mm x 44.5mm | 120 - 277 VAC, .98 - .42 Amps, 117W | 3 x T5HO, 39W |
| FUS-TRI-72.00x40.00 | 72" W x 40" H x 1.75" D 1,829mm x 1,016mm x 44.5mm | 120 - 277 VAC, .98 - .42 Amps, 117W | 3 x T5HO, 39W |
| FUS-TRI-84.00x40.00 | 84" W x 40" H x 2.3" D 2,134mm x 1,016mm x 58.5mm | 120 - 277 VAC, .98 - .42 Amps, 117W | 3 x T5HO, 39W |



PROPRIETARY AND CONFIDENTIAL: The information contained in this specification is the sole property of Electric Mirror®. Any reproduction in part or in whole without written permission from Electric Mirror® is prohibited.

© 2014 ELECTRIC MIRROR®

