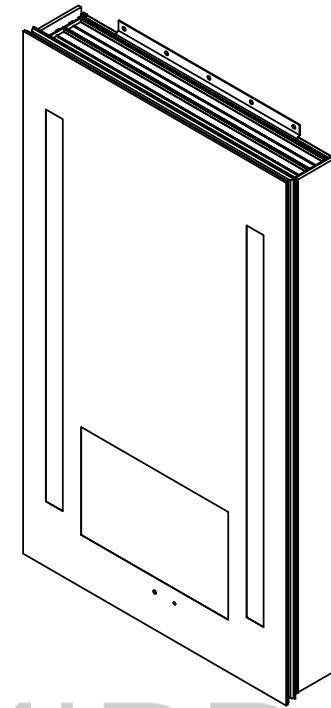
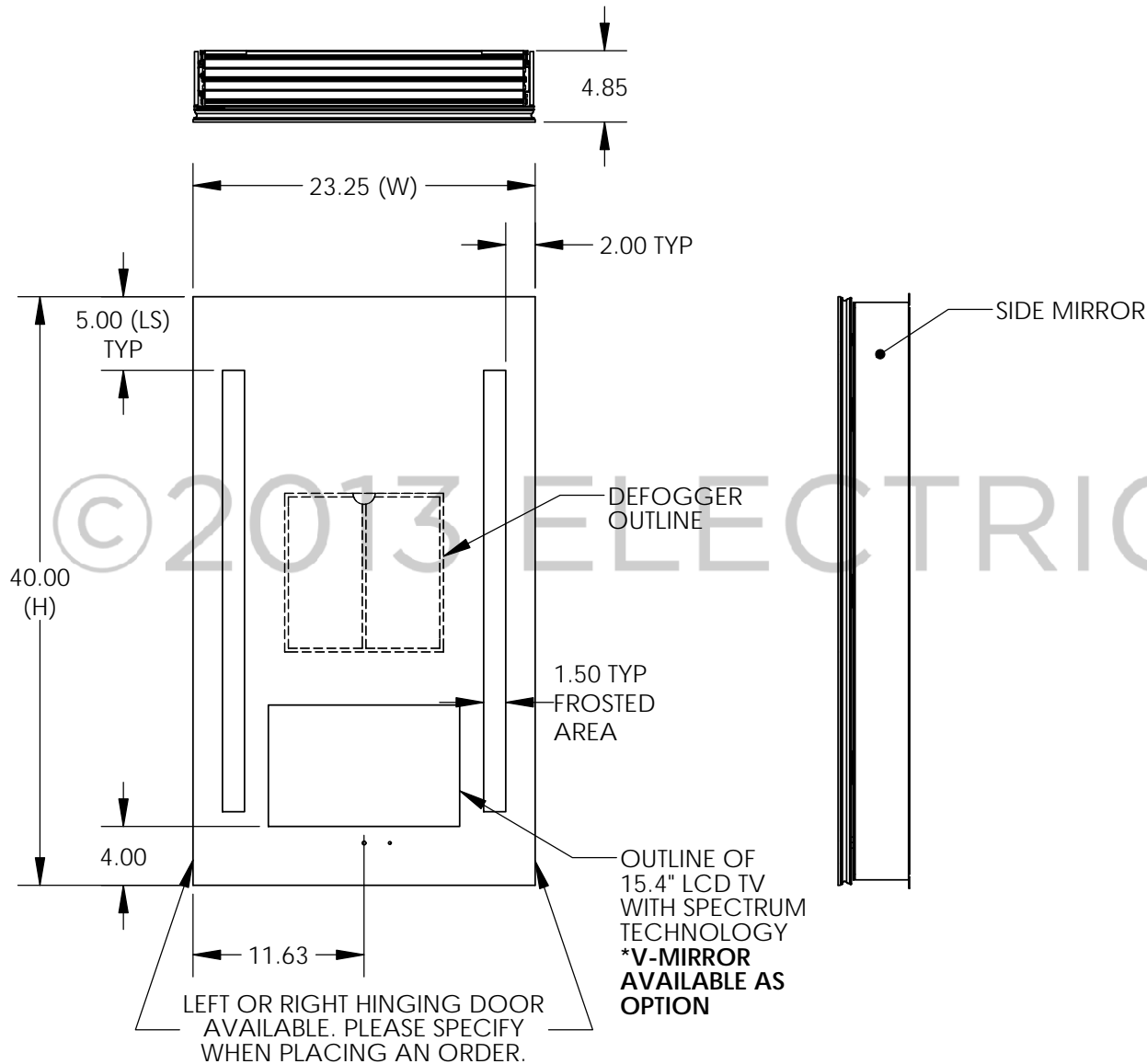


*BY APPROVING THIS DRAWING YOU ARE ENSURING THAT THESE DIMENSIONS HAVE BEEN FIELD VERIFIED.

APPROVED BY: _____ DATE: _____

REVISION REQUESTED



SPECIFICATION:

THE MC CABLE AND RF OR HDMI CONNECTIONS ARE BROUGHT IN THROUGH THE BOTTOM SIDE CHASSIS KNOCKOUT AND CONNECTED TO WIRE DISCONNECT. NO ELECTRICAL BOX REQUIRED. CABINET MAY BE ON DEDICATED HOT CIRCUIT OR CONTROLLED BY LIGHT SWITCH, ELECTRICAL POWER TO TV SHOULD BE SEPARATE, UNSWITCHED.

SEE INSTALLATION INSTRUCTIONS FOR WIRING DETAIL.
*DIMMING COMPATIBLE, SEE INSTALLATION INSTRUCTIONS FOR WIRING DETAIL.

FIXTURE SHOULD BE MOUNTED TO A MECHANICALLY SOUND SURFACE SUCH AS WALL STUDS TO SUPPORT ITS WEIGHT. MOUNTING HOLES ARE PROVIDED IN THE CABINET.

LED SPECIFICATION:

TYPE: HI-POWER LED
AVG RATED LIFE (hrs): 50,000
CCT (k): 3000
CRI: 85

ELECTRIC MIRROR® 2014

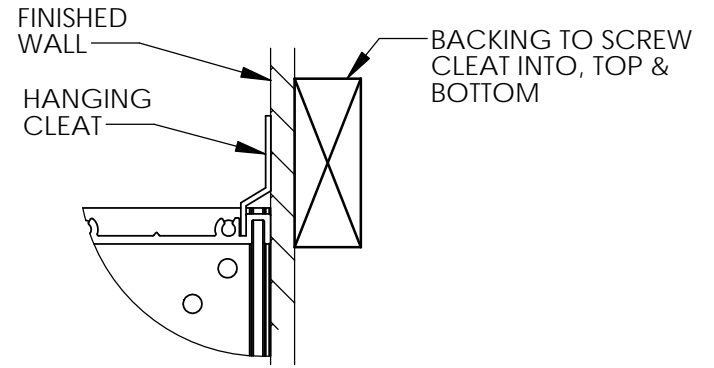
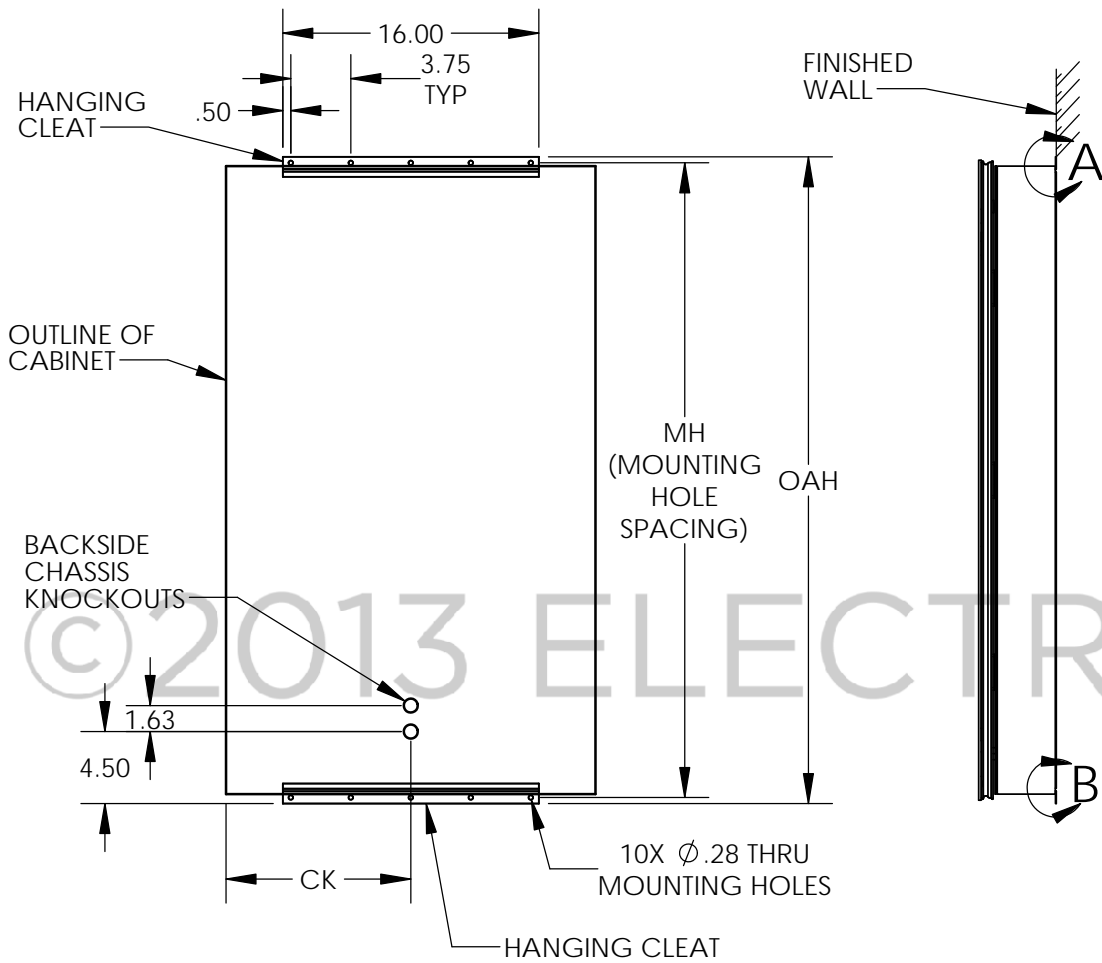
VISIONARY SURFACE MOUNT

SALES AID - 02/05/2014

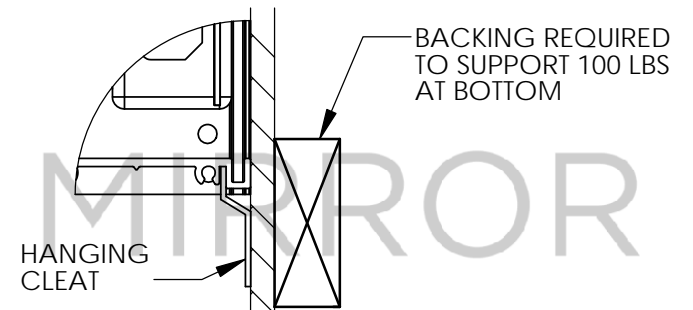
PROPRIETARY AND CONFIDENTIAL:

THE INFORMATION CONTAINED IN THIS DRAWING IS THE SOLE PROPERTY OF ELECTRIC MIRROR L.L.C. ANY REPRODUCTION IN PART OR AS A WHOLE WITHOUT THE WRITTEN PERMISSION OF ELECTRIC MIRROR L.L.C. IS PROHIBITED. © 2014 ELECTRIC MIRROR

DIMS IN INCHES	REV. A
SCALE: 1:12	PG.1 OF 2
CONTACT US: consultants@electricmirror.com T+1.425.776.4946	



DETAIL A
SCALE 1 : 2
SIDE MIRROR NOT SHOWN



DETAIL B
SCALE 1 : 2
SIDE MIRROR NOT SHOWN

WALL HANGING DETAILS

MODEL SIZE	W	H	LS	OAH	MH	CK	DEFOGGER	AMPS @ 120V
VIS-154-AV-23.25X40.00	23.25	40	5	40.42	39.67	11.55	10X10	0.75

ELECTRIC MIRROR®

VISIONARY SURFACE MOUNT

SALES AID - 02/05/2014

PROPRIETARY AND CONFIDENTIAL:

THE INFORMATION CONTAINED IN THIS DRAWING IS THE SOLE PROPERTY OF ELECTRIC MIRROR L.L.C. ANY REPRODUCTION IN PART OR AS A WHOLE WITHOUT THE WRITTEN PERMISSION OF ELECTRIC MIRROR L.L.C. IS PROHIBITED. © 2014 ELECTRIC MIRROR

DIMS IN INCHES	REV. A
SCALE: 1:12	PG.2 OF 2
CONTACT US: consultants@electricmirror.com T+1.425.776.4946	