

## OVATION™ LIGHTED MIRROR TV



The Ovation™ Lighted Mirror TV adds grace and light to its surrounding space, with even lighting and a memorable ultra thin integrated HDTV.

### THERE'S ONLY ONE™ ELECTRIC MIRROR®

Electric Mirror is the global leader in Lighted Mirrors and Mirror TV technology. With unparalleled customer service and amazing innovation, Electric Mirror is the standard of luxury for five-star hotels, upscale commercial projects and designer homes.

#### FEATURES

- E-Life™-8 Years Extended Lamp Replacement Cycle
- 15.6" LED HDTV and Integrated Audio
- Spectrum™ Technology
- Wood Urban Profile Frame
- Natural Light Color
- HardCoat™ Anti-Corrosion Mirror Treatment
- Environmentally Sustainable
- Energy Efficient
- Proudly Made in The USA
- Patented (US D,579,671, US 7,805,260, US 8099247)

#### LIGHTING

- Low-Mercury T5HO Warm Fluorescent (US Made)
- CRI 85
- CCT (K) 3000
- Average Lamp Life of 35,000 Hours
- 50,000 Cycle Ballast

#### KEY HOSPITALITY FEATURES

(SEE GENESIS HOSPITALITY TV FOR DETAILS)

- Hospitality TV with Channel Mapping
- Bridgeport
- Portal Software
- IR Control
- Auto Volume Limiters

#### TV/AUDIO FEATURES

- Ultra Thin 15.6" Electric Mirror LED HDTV (See TV Specification)
- 720p, 1080i, 16:9 Widescreen Ratio
- 50,000 Hour Panel
- Low Voltage and High Voltage Removable Power Supply
- Left/Right Out and Line Level Audio Out
- Ideal 10 Watt Per Channel Integrated Amplification
- HDMI, RF, and Component Connections
- ATSC/NTSC QAM TV Tuner
- Micros™ Integrated State-of-the-Art Mini-Speakers for High Quality Stereo Sound
- Waterproof Buoyant Master and Guestroom Remote
- Easy-Fit TV Mounting Solution

#### TV/AUDIO OPTIONS

- Ultra Thin 21.5" 1080p Full HD, Electric Mirror LED HDTV Integrated into Mirror (See TV Specification)
- Glasswaves™ - Integrated Multi-Directional Stereo Sound
- Bose™ Ceiling Mount Speakers - Flush White
- Clone Box

**PROPRIETARY AND CONFIDENTIAL:** The information contained in this specification is the sole property of Electric Mirror®. Any reproduction in part or in whole without written permission from Electric Mirror® is prohibited.

© 2014 ELECTRIC MIRROR®

# OVATION™ LIGHTED MIRROR TV

## MIRROR OPTIONS

- Custom Sizes Available
- Diamond Clear™
- Dimmable
- Defogger
- Night Light
- Glass Shelf
- LED Digital Clock
- LED Lighting

## SAFETY

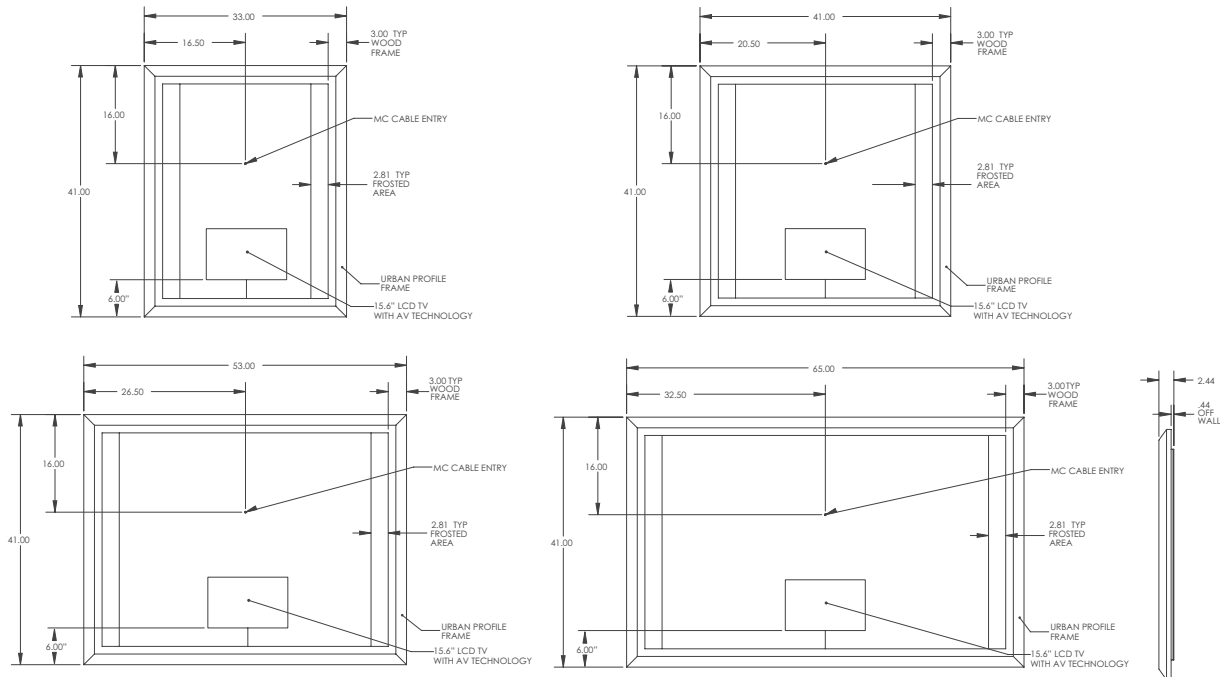
- Tested to UL/UL-C 962
- International Certifications
- LED Mercury Free Environmentally Sustainable TV Back Lighting
- FCC Compliant
- Safety Backed Mirror

## SPECIFICATION

- The top of the lighted mirror above the bathroom vanity should be a minimum of 6' 6" above the finished floor.
- Electrical connections made with MC cable brought through the chassis knockout, no electrical box required.
- Electrical power for lighting should be controlled by a light switch.
- Unswitched recessed receptacle and wire port (EM Item # WP-01) for TV and video/audio connections.
- Fixture should be mounted to wall studs to provide sufficient support. Mounting holes are provided in the chassis.

MODEL NUMBER	DIMENSIONS	POWER REQUIREMENTS	LAMPING
OVA-156-AV-MU0 □ -33.00x41.00	33" W x 41" H x 2.5" D 838mm x 1,041mm x 64mm	120 - 277 VAC, .70- .28 Amps, 78W	2 x T5HO, 39W
OVA-156-AV-MU0 □ -41.00x41.00	41" W x 41" H x 2.5" D 1,041mm x 1,041mm x 64mm	120 - 277 VAC, .70 - .28 Amps, 78W	2 x T5HO, 39W
OVA-156-AV-MU0 □ -53.00x41.00	53" W x 41" H x 2.5" D 1,346mm x 1,041mm x 64mm	120 - 277 VAC, .70 - .28 Amps, 78W	2 x T5HO, 39W
OVA-156-AV-MU0 □ -65.00x41.00	65" W x 41" H x 2.5" D 1,651mm x 1,041mm x 64mm	120 - 277 VAC, .70 - .28 Amps, 78W	2 x T5HO, 39W

□ Indicates finish selection, see frame specification for details



**PROPRIETARY AND CONFIDENTIAL:** The information contained in this specification is the sole property of Electric Mirror®. Any reproduction in part or in whole without written permission from Electric Mirror® is prohibited.

© 2014 ELECTRIC MIRROR®