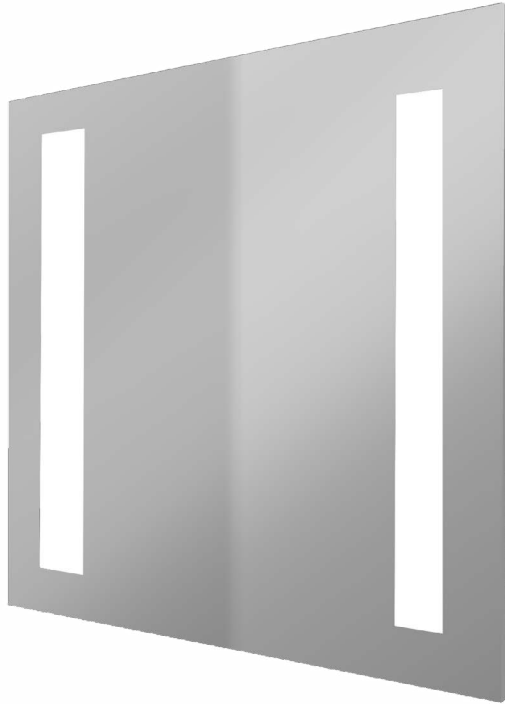


ACCLAIM™ IN-SHOWER LIGHTED MIRROR



Shave in the shower. The Acclaim™ In-Shower Lighted Mirror is the first of its kind, melding outstanding modern design with functionality. With even lighting, a perfect reflection and an on-board Defogger, the shower is now the perfect place to shave.

THERE'S ONLY ONE™ ELECTRIC MIRROR®

Electric Mirror is the global leader in Lighted Mirrors and Mirror TV technology. With unparalleled customer service and amazing innovation, Electric Mirror is the standard of luxury for five-star hotels, upscale commercial projects and designer homes.

FEATURES

- Natural Light Color
- Defogger
- HardCoat™ Anti-Corrosion Mirror Treatment
- 1/4" Mirror, Penciled Polished Edges
- Downlight Feature Included with 12.00" x 28.00"
- Environmentally Sustainable
- Energy Efficient
- Proudly Made in The USA
- Patent Pending

LIGHTING

- High power Energy Efficient LED Lighting
- CCT (K) 3000
- 50,000 Hours Energy Efficient LED Lighting
- CRI 85
- Alcove Downlight Only Available in 12.00" x 28.00"

OPTIONS

- Diamond Clear™

SAFETY

- Tested to UL/UL-C 1598
- Mercury Free Environmentally Sustained Lighting
- Rated for Wet Locations
- Low Voltage

SPECIFICATION

Solution shall be a back lighted mirror suitable for damp locations, such as in an enclosed shower space. Installation is intended to integrate on a wall surface with specific size configurations including 11.75" X 11.75", 11.75" X 23.75", and 12.00" X 28.00". Fixture shall require installation of an LED driver unit mounted in a dry location up to 25 feet from the mirror unit. Surface for installation shall be made of rigid construction and mechanically sound surface, such as wall studs, to support its weight. Mounting holes in the chassis shall be integrated for proper placement. Adequate time for the defogger to reach its optimum operating state is required. Additional modification to the wall for proper operation of an illuminated down light shelf is required for the 12.00" X 28.00" version.

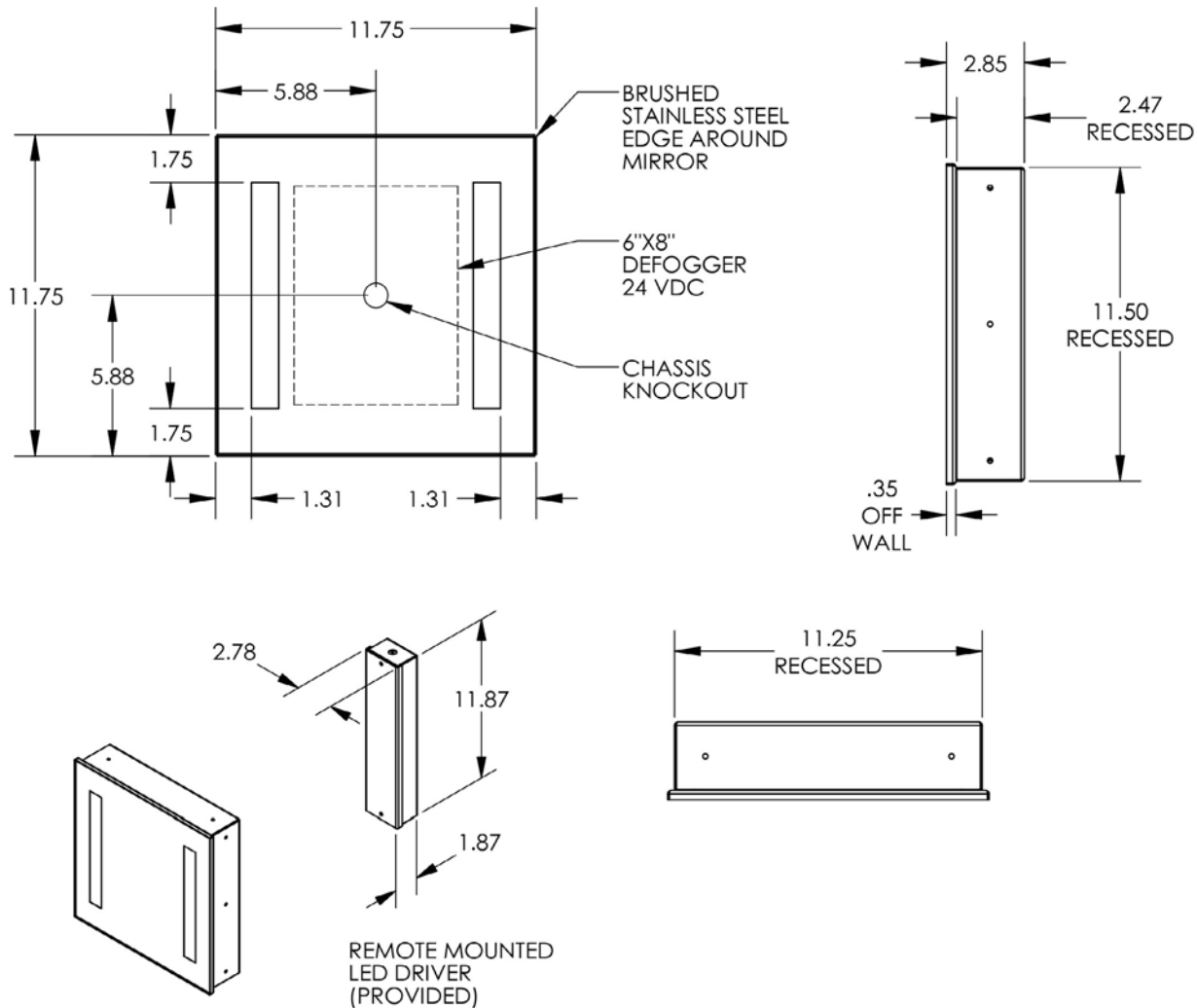
PROPRIETARY AND CONFIDENTIAL: The information contained in this specification is the sole property of Electric Mirror®. Any reproduction in part or in whole without written permission from Electric Mirror® is prohibited.

© 2014 ELECTRIC MIRROR®

ACCLAIM™ IN-SHOWER LIGHTED MIRROR

MODEL NUMBER	DIMENSIONS	DOWNLIGHT	POWER REQUIREMENTS
ISF-11.75x11.75	11.75" W x 11.75" H x 2.81" D 298.5mm x 298.5mm x 71.4mm	N/A	120-240 VAC , .48 Amps, 58.6W
ISF-11.75x23.75	11.75" W x 23.75" H x 2.81" D 298.45mm x 603.5mm x 71.4mm	N/A	120-240 VAC , .48 Amps, 58.6W
ISF-12.00x28.00-DF-DL	12.00" W x 28.00" H x 4.22" 304.8mm x 711.2mm x 107.2mm	INCLUDED	120-240 VAC , .48 Amps, 58.6W

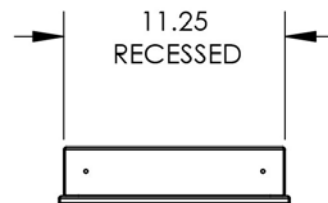
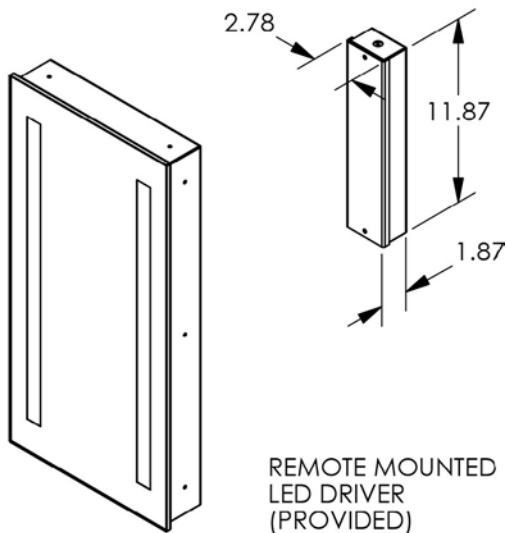
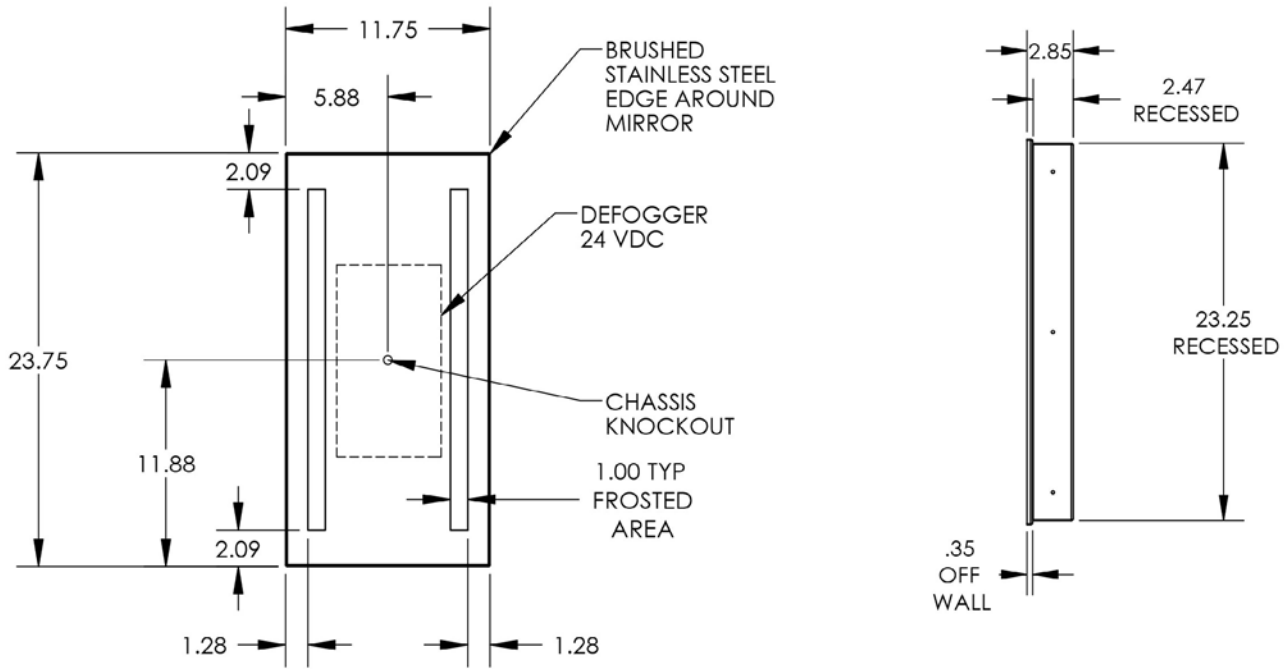
11.75x11.75



PROPRIETARY AND CONFIDENTIAL: The information contained in this specification is the sole property of Electric Mirror®. Any reproduction in part or in whole without written permission from Electric Mirror® is prohibited.

© 2014 ELECTRIC MIRROR®

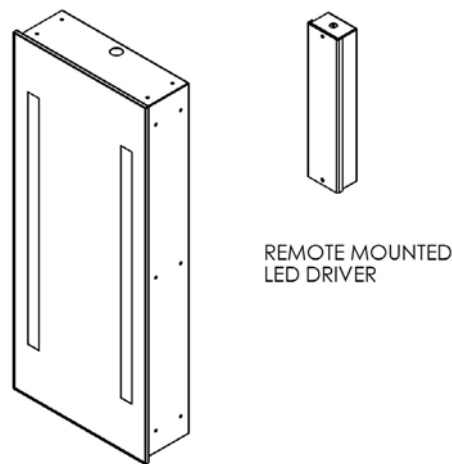
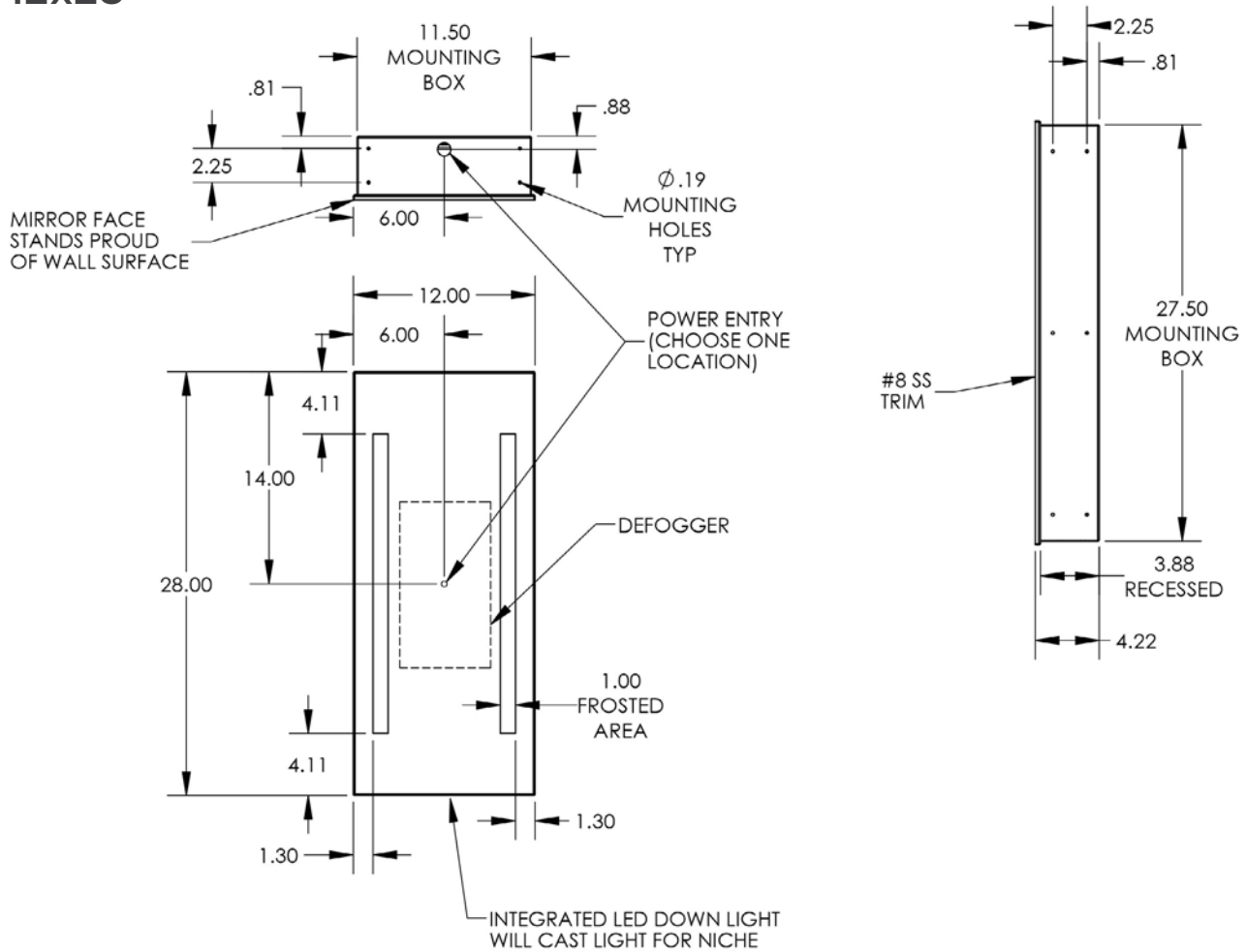
ACCLAIM™ IN-SHOWER LIGHTED MIRROR
11.75x23.75



PROPRIETARY AND CONFIDENTIAL: The information contained in this specification is the sole property of Electric Mirror®. Any reproduction in part or in whole without written permission from Electric Mirror® is prohibited.

© 2014 ELECTRIC MIRROR®

**ACCLAIM™ IN-SHOWER LIGHTED MIRROR
12x28**



PROPRIETARY AND CONFIDENTIAL: The information contained in this specification is the sole property of Electric Mirror®. Any reproduction in part or in whole without written permission from Electric Mirror® is prohibited.

© 2014 ELECTRIC MIRROR®