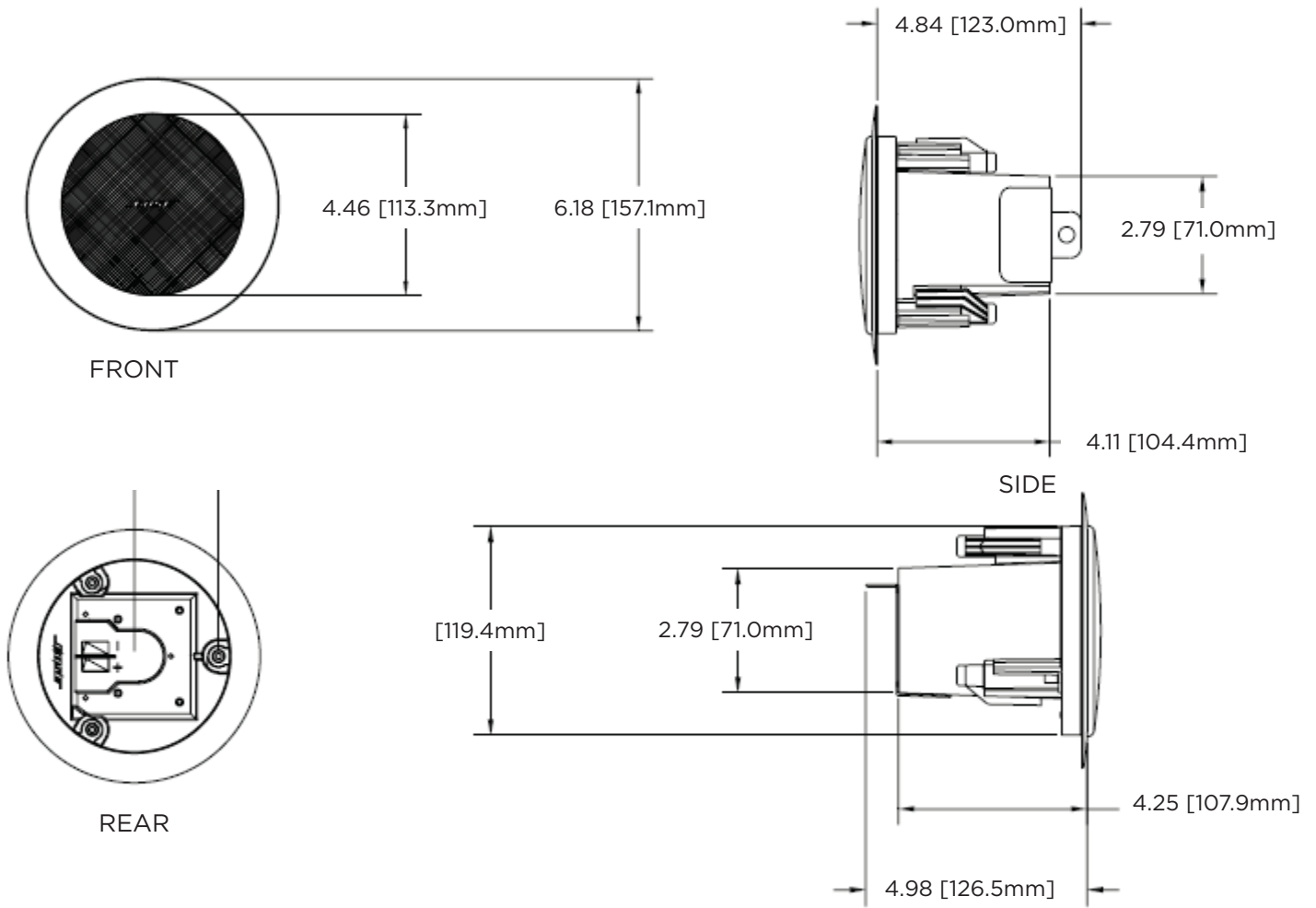


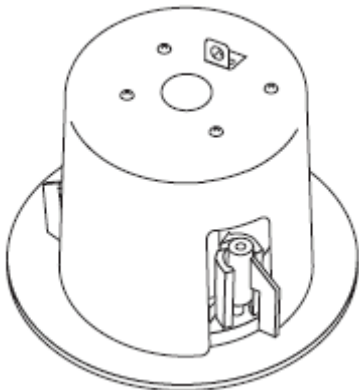
BOSE® SPEAKERS

Installation Instructions



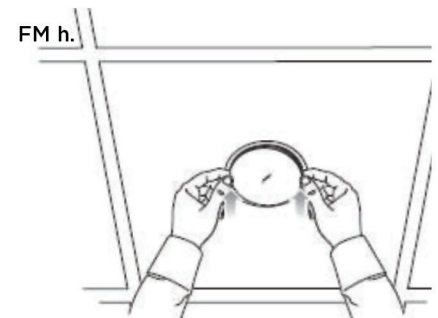
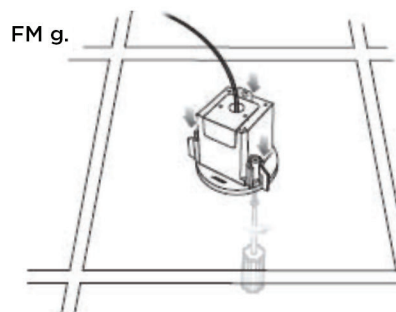
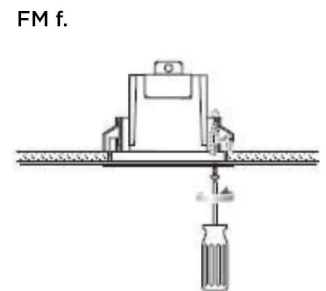
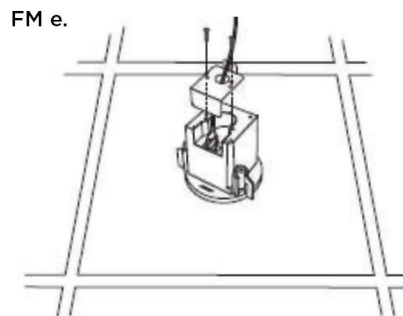
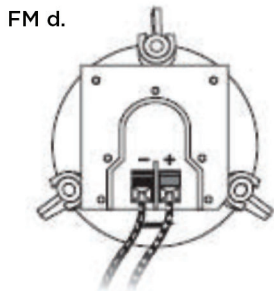
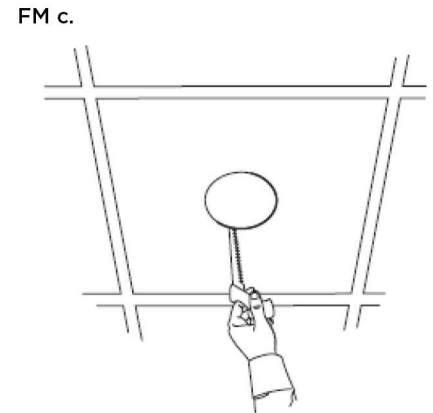
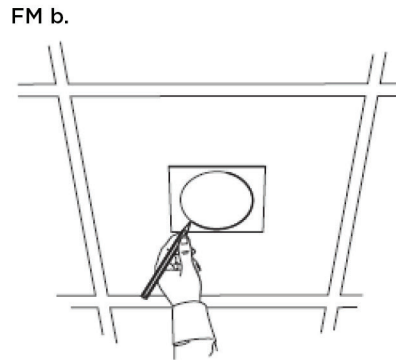
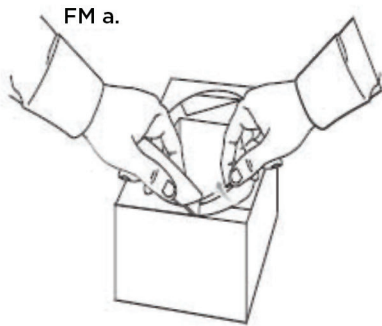
INSTALLATION ACCESSORIES

PC-FreeSpace 3F Plenum Cover



BOSE® SPEAKERS

Installation Instructions



- Choose a position and mounting method consistent with local building codes and regulations.
- Using included template to cut 5" (127 mm) hole.
- Attach speaker wire and terminal cover per diagrams FM d.— FM e.
- Attach plenum cover, if required.
- Place speaker in hole, tighten dog-ear brackets, and attach grille.

TECHNICAL SUPPORT

For further installation advice,
please contact Electric Mirror at
(+1) 425-776-4946



All Rights Reserved. All designs, engineering drawings, images, photographs, logos and written material that appear in this document are protected by copyright. The information contained in this document is the sole property of Electric Mirror®. Any reproduction in part or in whole without written permission from Electric Mirror is prohibited.