

CHENILLE™ MAKEUP MIRROR

THERE'S ONLY ONE™ ELECTRIC MIRROR®

Electric Mirror is the global leader in Lighted Mirrors and Mirror TV technology. With unparalleled customer service and amazing innovation, Electric Mirror is the standard of luxury for five-star hotels, upscale commercial projects and designer homes.

**EM 88 FUS**

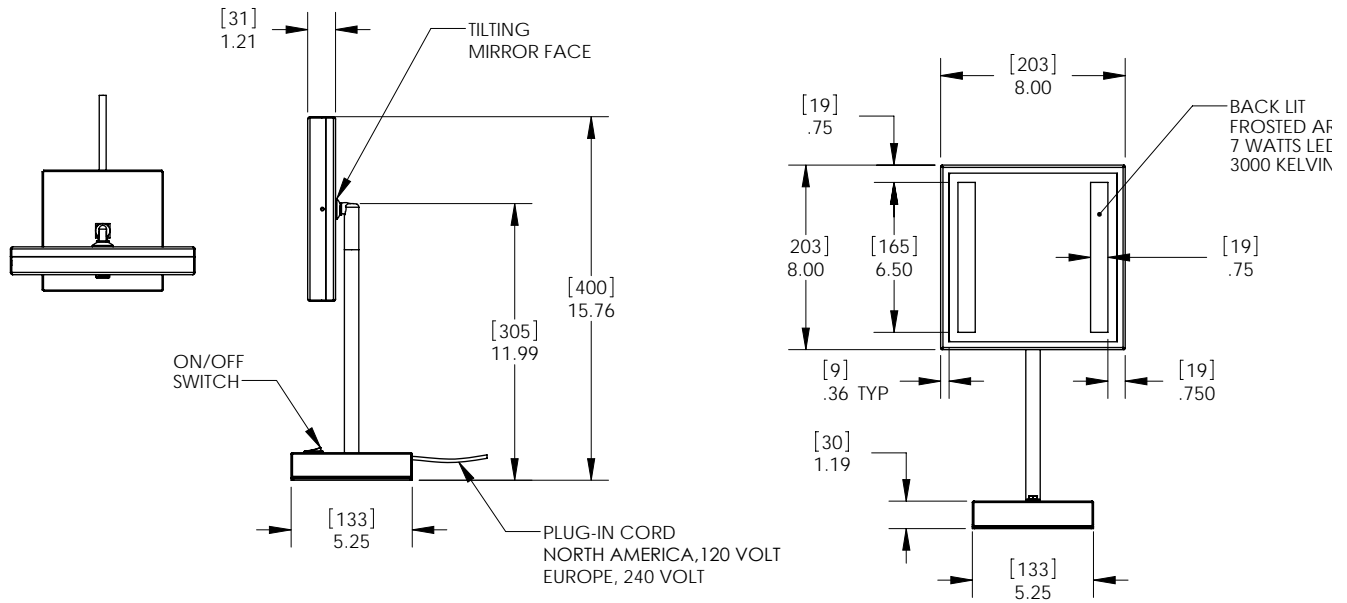
- 8" x 8" Square
- 5x Magnification
- LED Lighting
- Polished Chrome or Brushed Nickel
- Cord Connected
- Counter Top

**EMHL 88 FUS**

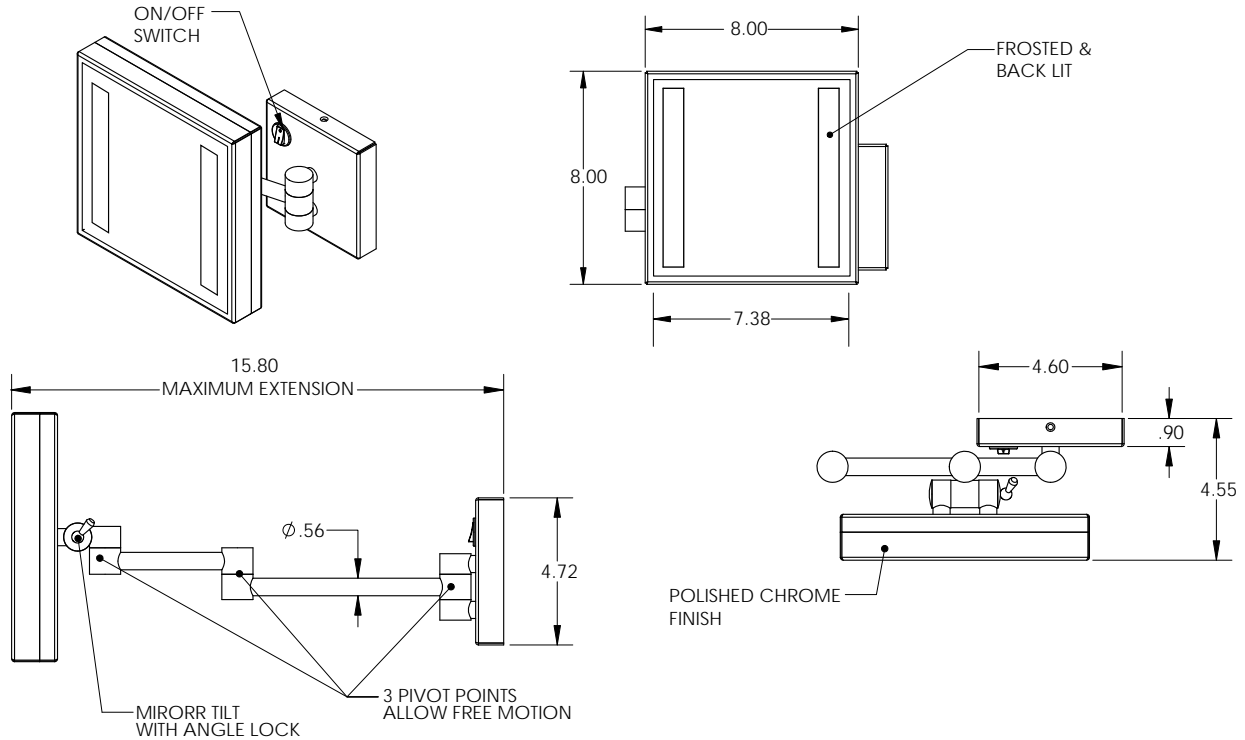
- 8" x 8" Square
- 5x Magnification
- LED Lighting
- Polished Chrome or Brushed Nickel
- Wall-Mount

Makeup mirror shall consist of a square face with dimensions of 8 inches. (228.6 mm) wide by 8 inches. (228.6 mm) high, possessing a magnification of 5X over a normal reflection, and an adjustable view angle. Illumination shall be back lighted on right and left halves of the face, utilizing LED technology. Metal finish shall be either polished chrome or brushed nickel. Mounting options shall be either counter top with corded electrical plug or wall-mounted with hard-wiring requirement.

CHENILLE™ EM 88 FUS



CHENILLE™ EMHL 88 FUS



ELECTRIC MIRROR, LLC
Seattle, WA • USA

© 2015 ELECTRIC MIRROR®

T +1 425-776-4946

www.electricmirror.com

sales@electricmirror.com

residential@electricmirror.com

PROPRIETARY AND CONFIDENTIAL:

The information contained in this specification is the sole property of Electric Mirror®. Any reproduction in part or in whole without written permission from Electric Mirror® is prohibited.

