

## PALETTE™ MAKEUP MIRROR

### THERE'S ONLY ONE™ ELECTRIC MIRROR®

Electric Mirror is the global leader in Lighted Mirrors and Mirror TV technology. With unparalleled customer service and amazing innovation, Electric Mirror is the standard of luxury for five-star hotels, upscale commercial projects and designer homes.

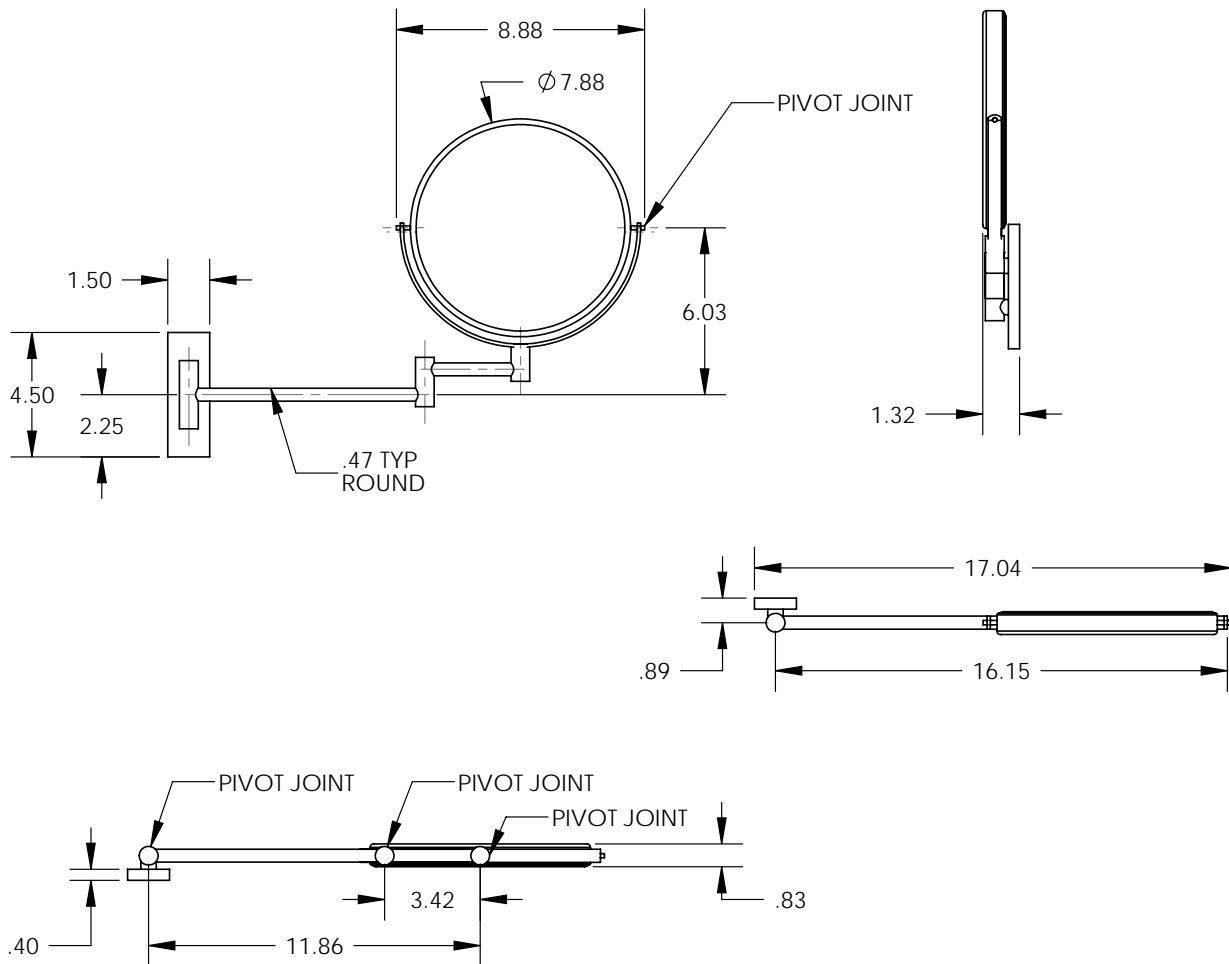
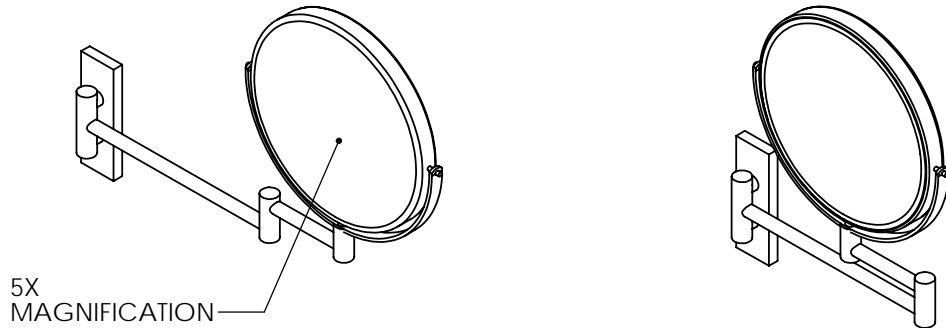


### EMHL 700

- 7 3/4" Round
- 5x Magnification
- Polished Chrome or Brushed Nickel
- Wall-Mount

Makeup mirror shall consist of a round face with dimensions of 7.75 inches (196.85 mm) wide by 7.75 inches (196.85 mm) high, possessing a magnification of 5X over a normal reflection, and a dual axis adjustable view angles. Metal finish shall be either polished chrome or brushed nickel. Mounting shall be wall-mounted with articulating and jointed arm.

PALETTE™ EMHL 700



ELECTRIC MIRROR, LLC  
Seattle, WA • USA

© 2015 ELECTRIC MIRROR®

T +1 425-776-4946

www.electricmirror.com

sales@electricmirror.com

residential@electricmirror.com

PROPRIETARY AND CONFIDENTIAL:

The information contained in this specification is the sole property of Electric Mirror®. Any reproduction in part or in whole without written permission from Electric Mirror® is prohibited.

