

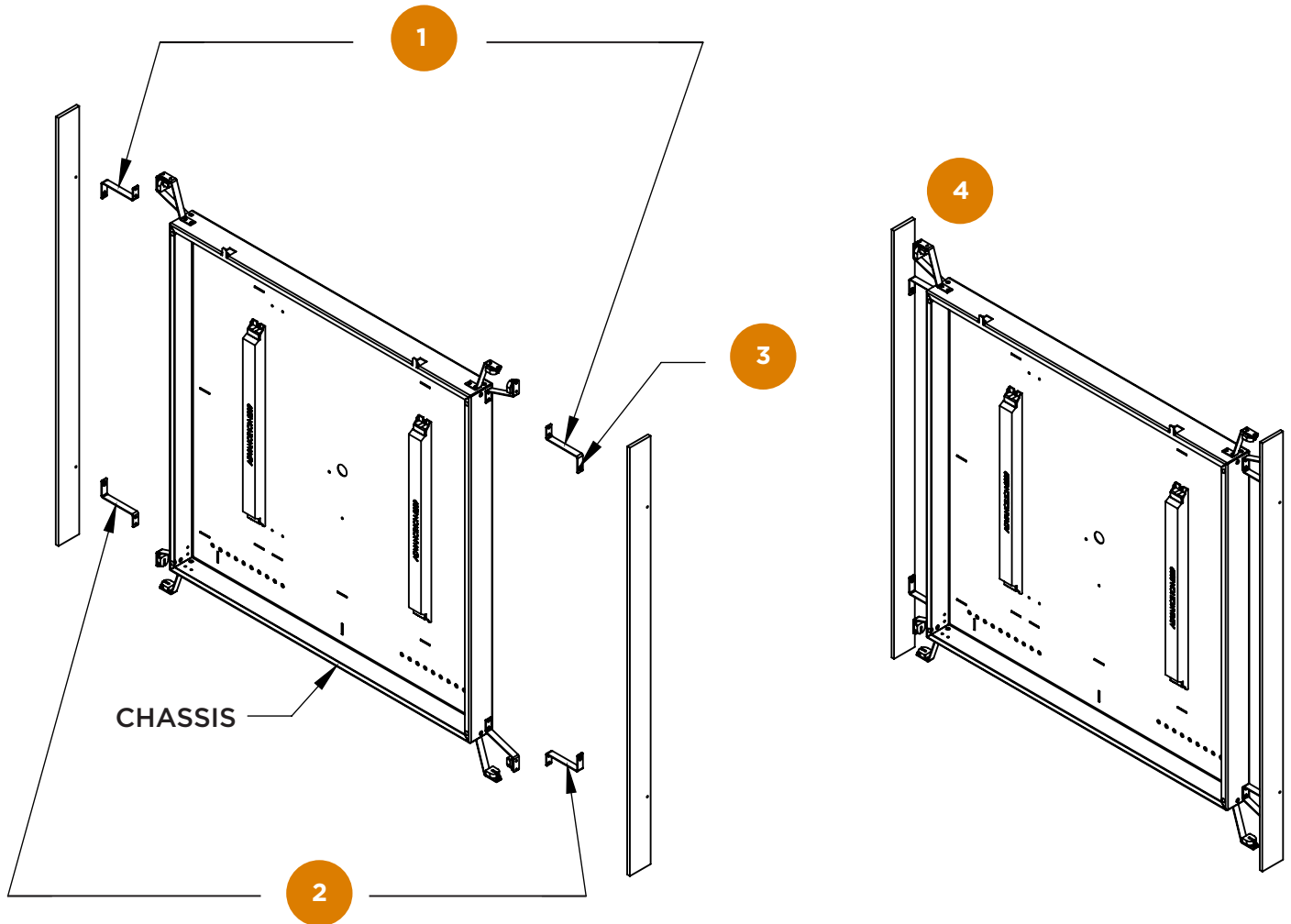
# SIDE DIFFUSER

## Installation Instructions



# PHYSICAL INSTALLATION

## INSTALLING THE DIFFUSERS



**1** Attach top diffuser brackets to Chassis with (2) included #8 X 3/16" Long Pan head screws align back of brackets to back of Chassis

**2** Attach bottom diffuser brackets to Chassis with (2) included #8 X 3/16" Long Pan head screws align back of brackets to back of Chassis

**3** Thread included #8 X 7/16" Long Pan head screw through slots in brackets and through diffusers. Secure with included acorn nuts

**4** After all diffusers are in place, position them appropriately and tighten acorn nuts