

# KITCHEN TV

## Installation Guide



# Kitchen TV Installation and Operation Manual

## FOR YOUR RECORD

Dealer name: \_\_\_\_\_

Dealer phone: \_\_\_\_\_

Purchase date: \_\_\_\_\_

Installed by name: \_\_\_\_\_

Installation date: \_\_\_\_\_

It is strongly suggested you keep your sales receipt and warranty details with this manual.

## IMPORTANT

Read this document completely before you begin. Carefully consider your level of expertise in installing this product. Make sure you have the necessary tool. Follow all precautions referred to in this document.

We recommend this product be installed and configured by a trained installation expert.



## CONTENTS

For your Record .....	2
Important .....	2
Important safety instructions.....	2
Materials.....	3
Video/Audio Connections.....	4
Physical Installation.....	4
WallWave Speakers (optional).....	6
Installation.....	6
Troubleshooting.....	7
Technical Support.....	8
Warranty .....	8

Warning: Installation shall be in accordance with the applicable section of the National Electrical Code,

ANSI/NFPA 70, and/or the national Fire Alarm Code, ANSI/NFPA 72, as applicable.

FCC Notice: This equipment has been tested and found to comply with the limits for a Class B digital device, pursuant to Part 15 of the FCC Rules. These limits are designed to provide reasonable protection against harmful interference in a residential installation. This equipment generates, uses, and can radiate radio frequency energy and, if not installed and used in accordance with the instructions, may cause harmful interference to radio communications.

However, there is no guarantee that interference will not occur in a particular installation and the user must understand that interference may not be a result of this product. Proper installation according to the manufacturer's instructions are the best means for reducing or eliminating interference. If this equipment does cause harmful interference to radio or television reception, which can be determined by turning the equipment off and on, the user is encouraged to try to correct the interference by one or more of the following measures:

- Verify proper installation of this product was completed in its entirety, including electrical connections, earth ground, setup procedures, lamp burn-in (if required) and proper operation.
- Reorient or relocate the receiving antenna.
- Increase the separation between the equipment and receiver.
- Connect the equipment into an outlet on a circuit different from that to which the receiver is connected.
- Consult the dealer or an experienced radio/TV technician for help.

## IMPORTANT SAFETY INSTRUCTIONS



1. Read these instructions fully prior to installation.
2. Keep these instructions for future reference.
3. Install and operate in accordance with the manufacturer's instructions.
4. Adhere to all warnings related to this guide and the product.
5. All accessories and included hardware should be considered the only options for installation.

# Kitchen TV Installation and Operation Manual

6. Only the included hardware or related accessories available in this package or from Electric Mirror are specified as a genuine for the purpose of installation or operations. No substitutes are considered acceptable.
7. Do not place anything over the unit that blocks its ventilation. Make sure the bottom of the unit is free of obstructions.
8. Keep away from heat sources including open flame.
9. Mirror glass can be very heavy. If dropped or broken, it may crack or shatter, exposing sharp edges than can inflict bodily harm if proper care is not taken. At least two people are recommended for installation. Use of suction grip tools for glass are strongly recommended for increased safety.



Only use the power supply provided by the manufacturer for connections. **DO NOT use an alternate power supply unless approved by Electric Mirror in writing and kept with this manual for future reference.**

- This product requires an electrical earth ground for proper electrical performance and safety.
- Keep liquids away from the electronics components or mirrored substrates.



Accessory Installation of all accessories or related products should be completed according to their relative installation guidelines. Once this product is installed, access to connection ports is greatly reduced. Prior planning is strongly recommended.

Follow these installation instructions completely

This product is intended for installation with traditional building materials such as metal or wood studs, drywall and connecting to copper wiring.

This product is intended for installation using electrical standards following local electrical and building codes.

## CAUTION

- Not suitable for high humidity or wet environments.
- Keep away from direct flame and excessive heat.
- Electrical connections must be carried out by a fully qualified electrician in conformance with the National Electrical Code.
- Check with your local codes to determine if the power supply unit requires a GFCI receptacle for the AC/DC adaptor. The receptacle should be located in a readily accessible area in a dry location.

## MATERIALS

- In Wall Box
- Kitchen TV unit
- Speakers (if applicable)
- Listed Power Adaptor, 60 Watts 12V DC, 90-264 VAC input, with 25' DC cord
- Power cord (IEC320-C13 / Type B)
- Waterproof Remote Control

# Kitchen TV Installation and Operation Manual

## INSTALLATION

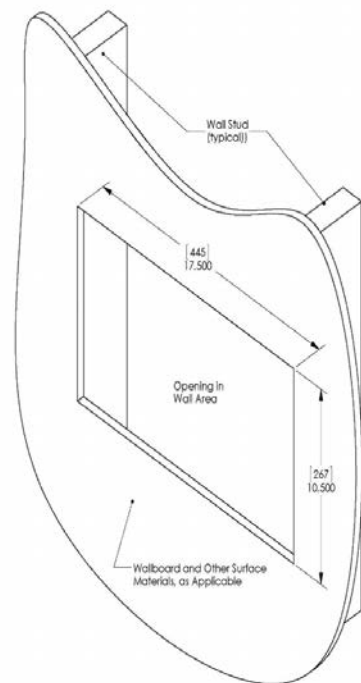
### VIDEO/AUDIO CONNECTIONS

Electric Mirror's Kitchen TV has the following video input options:

- Audio Line Out (Pre-Amp, 3.5mm Stereo).
- Audio In (Component, Composite, and S-Video RCA Type)
- Component Video In (YPbPr)
- SVGA Audio In (3.5mm Stereo)
- SVGA Video In (HD 15)
- HDMI Video & Audio In (HDCP)
- S-Video In (S-VHS)
- Video In (Composite)
- RF Television In (F Connector, North American)
- Speaker Outputs Left and Right (3.5mm Mono each)
- IR Pass through (3.5mm mono)
- Power Plug (12VDC Only, 2.1mm x 5.5mm)

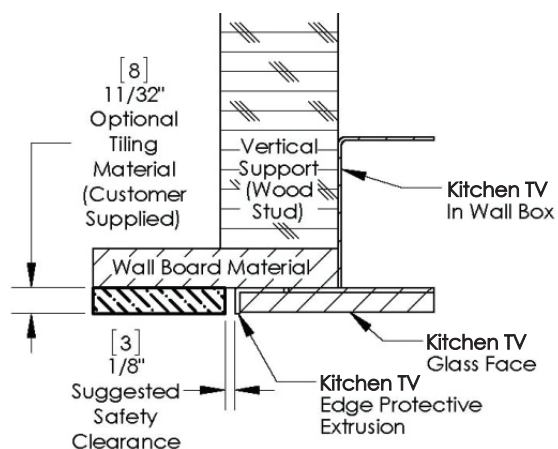
The Kitchen TV has two 3.5mm exits for speaker connections. Regulated at 8 Watts per channel at 8 ohms.

The Kitchen TV also has an IR pass-through input for connection to external remote devices. Please contact Electric Mirror for further information.



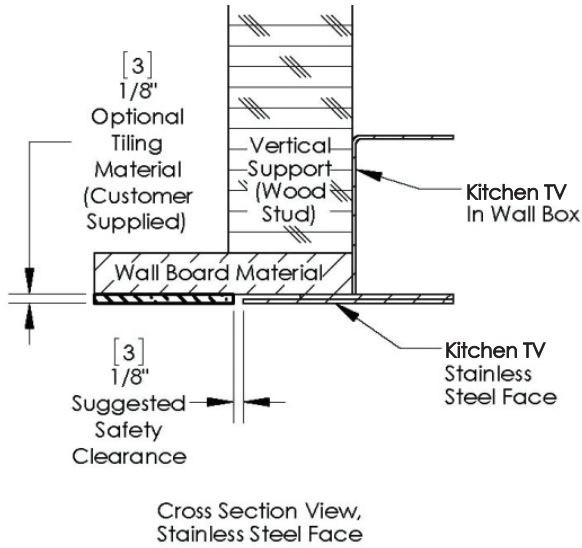
### PHYSICAL INSTALLATION

1. Determine the location of the unit on the wall. Refer to the Sales Aid specification for product dimensions. Please note the size and depth of the front panel in correlation to the cutout in wall.



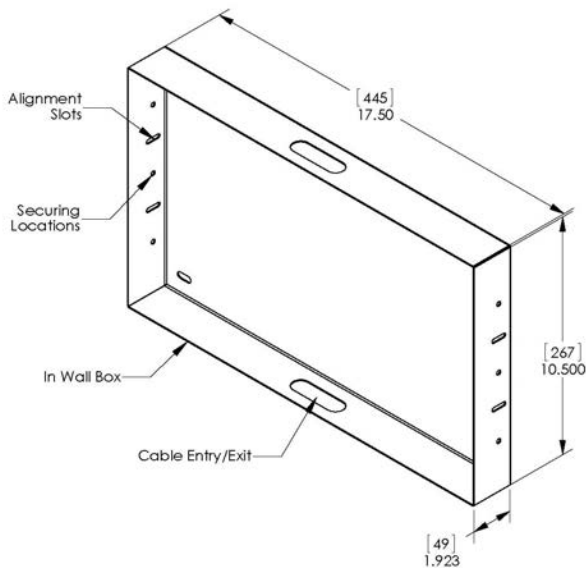
Cross Section View,  
Glass Face

# Kitchen TV Installation and Operation Manual



2. Cut a hole in the wall for the In Wall Box. The recess in the wall should be open below and above to allow cables to enter the unit. The wall should be of suitable strength to support the weight of the Kitchen TV (15lbs. [6.8 kg]). Vertically mounted wall studs must be used to provide support for the Kitchen TV.

- Warning: Check your local building code whether there are rules that govern openings in load-bearing and non-load-bearing walls.



3.

- Place Speakers wires (if applicable) in the area of the cutout.
  - If using WallWaves, follow detailed instructions on page 6.
- Route (speaker, video, power) cables from source to Kitchen TV location. Follow all NEC guidelines.
  - Plug the power supply cable of the AC/DC Adaptor into the outlet. The Power adaptor must be positioned in a dry, well ventilated, accessible area away from water, moisture or heat source.
  - The 12V side of the adaptor powers the Kitchen TV. Leave 2' extra (for all cables) for ease of installation.
  - The low voltage cable should not be cut, shortened or lengthened in any way. Doing so may cause damage to the unit and voids all warranty.
- Install the In Wall Box using screws on the side of the unit to wall studs.
  - There are two sets of holes on the in-wall box. The oblong slots are used for positing the correct depth of the unit. Once in place, use the holes for final attachment.
- Plug cables into Kitchen TV. Test all functionality before inserting TV into wall box.
- Align the unit into the wall box and firmly press in place. The plastic fasteners should make a clicking sound when fully engaged.
- Turn on your TV unit and enjoy!

## NOTICES

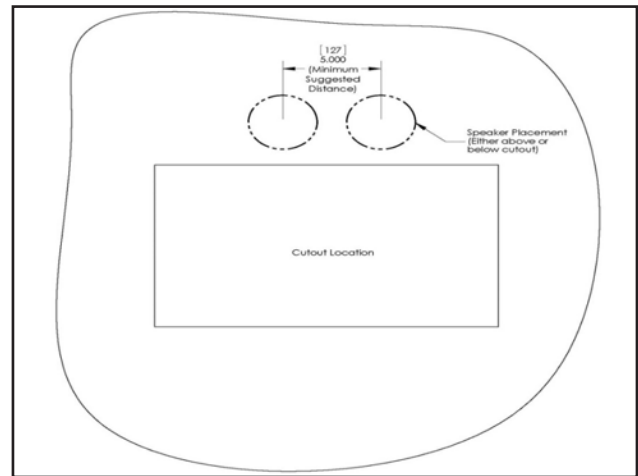
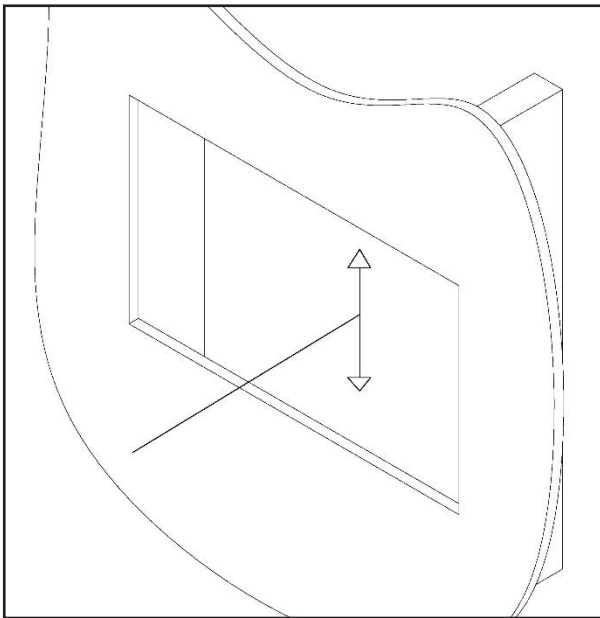
- Some features are dependent upon the broadcasting of information by local off-air and cable TV channels.
- Specifications are subject to change without notice.
- HDMI, the HDMI logo, and High Definition Multimedia Interface are trademarks or registered trademarks of HDMI Licensing LLC
- ELECTRIC MIRROR and the Electric Mirror logographic is a registered trademark. All rights reserved.

## WALLWAVE™ SPEAKERS (OPTIONAL)

### INSTALLATION

To install the WallWave speakers, first clean an area of the dry wall to place the speakers within the top or bottom portion of the In Wall Box cutout. The speakers work best when there are not obstructions between the wall area and listener (cabinets, countertops, etc.)

Peel the adhesive lines and stick in place. The adhesive is time sensitive, the longer the adhesive tape is applied the stronger the bond. Try to place the speakers only one time. \*To remove, slide a putty knife and gently wedge the speakers out.



For placement of speakers, attempt a trial run while the adhesive cover is still applied (The adhesive on the speakers is for one use only). The speakers should be a minimum of 5" apart center to center to make sure the speakers are not touching each other.

# Kitchen TV Installation and Operation Manual

## TROUBLESHOOTING

### Audio is not working

---

- Make sure the volume is on
- Make sure the 3.5mm male connections are in the correct location and engaged fully. Turn connections a 1/4-turn if static audio occurs.

### Can I use my Kitchen TV in wet conditions?

---

- Electric Mirror recommends the unit to be placed in a dry, low humidity, excessive hot or cold temperature areas are not recommended

### Does my Kitchen TV have a RS232 control interface?

---

- No. If external control of the unit is requested, the unit has an IR output for simple IR commands

### How should I clean my Kitchen TV?

---

- Glass: Warm water with a soft, lint free cloth
- Metal: Warm water with a soft, lint free cloth

### Kitchen TV does not turn on

---

- Check power supply for proper connection. A light on the power supply should be illuminated when connected to line power
- Check the power supply connection on the Kitchen TV unit. Make sure the DC connection is engaged.
- Check the battery on the remote

### Video connection creates a grainy or unclear image

---

- Check connection at video source and at Kitchen TV for proper connection
- Make sure the video cable is not damaged in any way

### WallWave Speakers are not working

---

- Make sure the WallWave speaker are firmly attached to the backside of the substrate with no obstructions
- Make sure the 3.5mm male connections are in the correct location and engaged fully

### What conditions should be considered for Kitchen TV installation?

---

- Stud dimension
- Low heat, low humidity.
- Visual aspect of TV (visual angle)
- Wall space for speakers

### What should I do if I lose the remote?

---

- Contact Electric Mirror for replacement details

### Where are the best locations for installation?

---

- Typically under a cabinet counter
- A dust-free location

### Where are the locations Electric Mirror does not recommend?

---

- Oven backsplash
- Above the sink
- In a high humidity or wet environment

# Kitchen TV Installation and Operation Manual

---

## TECHNICAL SUPPORT

For support, please use this contact information:

Electric Mirror, Inc.  
11831 Beverly Park Road  
Building D  
Everett, WA 98204 USA  
t: 425 776-4946  
f: 425 491-8200

## WARRANTY

### WARRANTY INFORMATION

For warranty information:  
visit [www.electricmirror.com/warranty/](http://www.electricmirror.com/warranty/)

All Rights Reserved. All designs, engineering drawings, images, photographs, logos and written material that appear in this document are protected by copyright. The information contained in this document is the sole property of Electric Mirror®. Any reproduction in part or in whole without written permission from Electric Mirror is prohibited.