

GENESIS DUO HOSPITALITY TV



FEATURES

- 15.6" Electric Mirror HDTV
- Compatible with popular hospitality audio video management system
- Power is provided to the screen through the interconnect DuoLink cabling from the TV Master Control Box
- No power line voltage source is required behind the mirror at the screen location
- System is firmware upgradeable
- System is external speaker compatible and can integrate into existing audio system including Glasswaves™, Bose® speakers and others
- 10 Watts per channel amp
- Two types of IR remote controls available: Guest remote and Installer Programming remote
- LED display delivers extended life of the screen
- ATSC/NTSC QAM TV Tuner
- FCC and CE certifications
- 3-year limited warranty

SAFETY

- Reduces risk of removing mirror for TV access
- Allows placement of audio video ports in an accessible location
- Low voltage screen
- TV Master Control Box not intended for wet environments
- Waterproof remote controls
- FCC Compliant

CERTIFICATIONS

- FCC
- CE

WARRANTY

- 3-year limited warranty

COUNTRY OF ORIGIN

- Main components are product of USA
- Assembled in USA

DESCRIPTION

Genesis Duo Hospitality TV by Electric Mirror is a solution designed to considerably simplify access to mirror mounted TV electronics and port accessibility by separating the screen from the main connectivity ports required for installation and service.

The two-piece system allows the TV Master Control Box to be located in an accessible locations instead of behind a mirror, allowing the TV Master Control Box to be accessed easily without the risks related to removing the mirror from the wall.

This solution improves safety, reduces risks and significantly reduces service costs for integrators, service providers, and in-house audio-video maintenance technicians.

PROPRIETARY AND CONFIDENTIAL: The information contained in this specification is the sole property of Electric Mirror®. Any reproduction in part or in whole without written permission from Electric Mirror® is prohibited. Subject to change without notice.

© 2015 ELECTRIC MIRROR®

GENESIS DUO HOSPITALITY TV

SPECIFICATION

Product shall be a two-piece LED HDTV television system suitable for installation specifically behind a mirror. System shall allow for integration into existing hospitality media management systems. Flexible installation applications are required, allowing placement of the TV master control box in a dry location, separated from the screen, specifically not behind a mirror. Placement shall consider connection of screen module to the main electronic component through a minimum 1" electrical conduit in-wall porting to both installation locations. Product shall consist of two components: main TV master control box and a separate screen module. Design shall enable access to the main electronic component when installed, without the need to remove a mirror from an existing installation. No AC line voltage power source is required at the screen module location as low voltage DC power is to be provided to the screen through the DuoLink cabling from the main TV electronic component source. Installation shall include connectivity with audio speaker or transducer options. Required certifications shall include FCC and CE certifications. Warranty shall be a 3 year limited warranty covering parts and labor.

EM PART NO.	DESCRIPTION
MASTER TV MODULE	
51504-IM	NORTH AM. TV MASTER CONTROL BOX - STACKED CHASSIS, IM
51506-IM	EUROPEAN TV MASTER CONTROL BOX - STACKED CHASSIS, IM
SCREEN MODULE	
51508	15.6" SCREEN MODULE
DUOLINK A HDM CABLES (REQUIRES A AND B OF THE SAME LENGTH)	
20965	DUOLINK CABLE A HDM - 12'
49377	DUOLINK CABLE B DV - 12'
ACCESSORIES	
13515	GUEST REMOTE CONTROL NORTH AMERICA (BLACK)
14733	GUEST REMOTE CONTROL EUROPEAN (BLACK)
CALL	SPEAKER GLASSWAVES
CALL	25' SPEAKER CABLES
ONSIGHT INSTALLATION TRAINING	
AV INTEGRATION SUPPORT	ONSIGHT INSTALLATION TRAINING

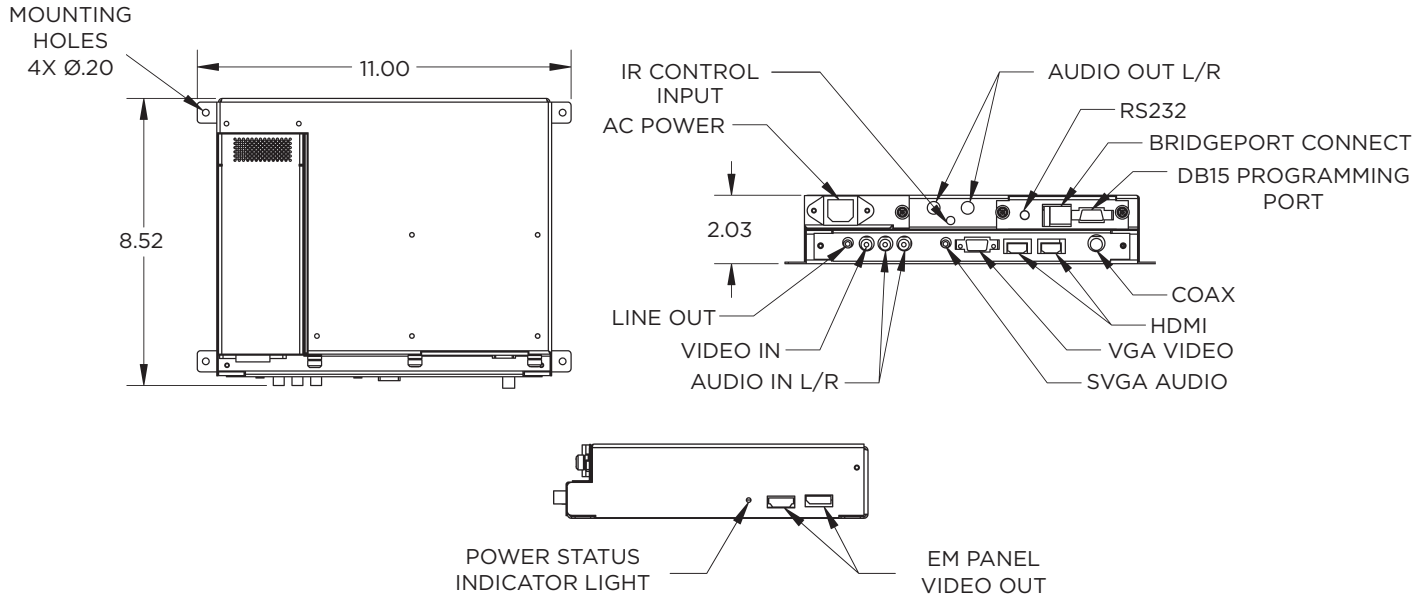
PROPRIETARY AND CONFIDENTIAL: The information contained in this specification is the sole property of Electric Mirror®. Any reproduction in part or in whole without written permission from Electric Mirror® is prohibited. Subject to change without notice.

© 2015 ELECTRIC MIRROR®

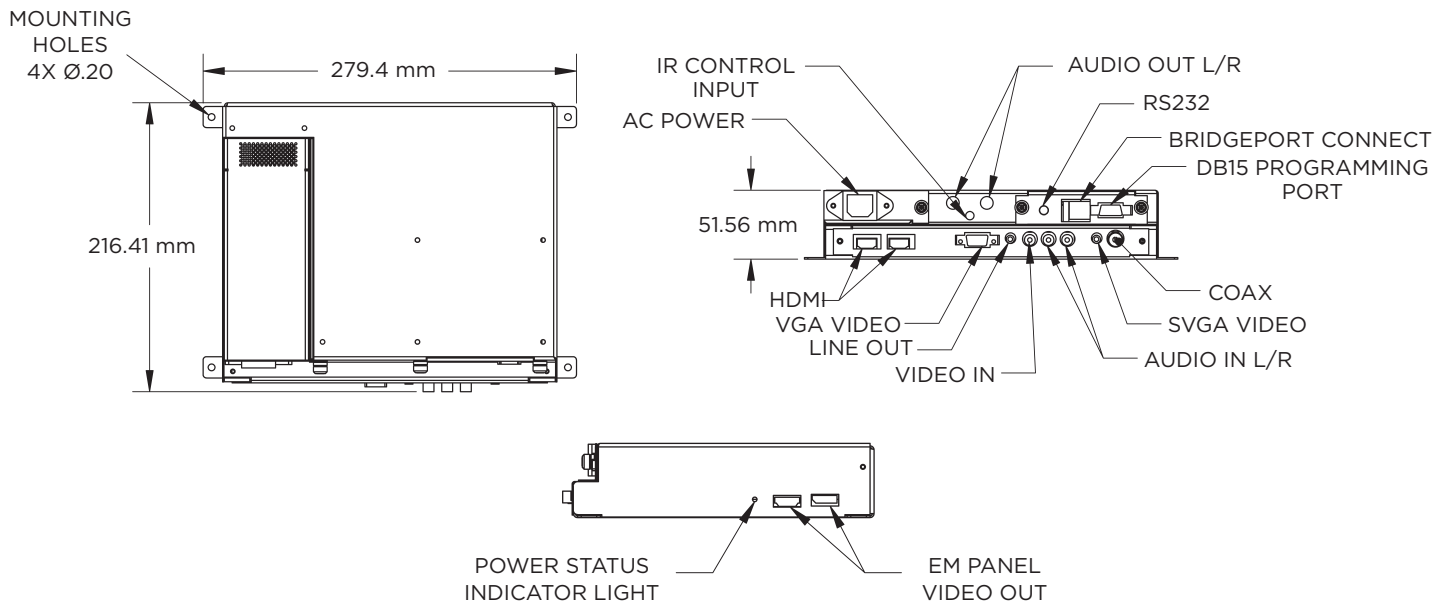
GENESIS DUO HOSPITALITY TV

DIMENSIONS AND CONNECTIVITY

North American Stacked Version



European Stacked Version

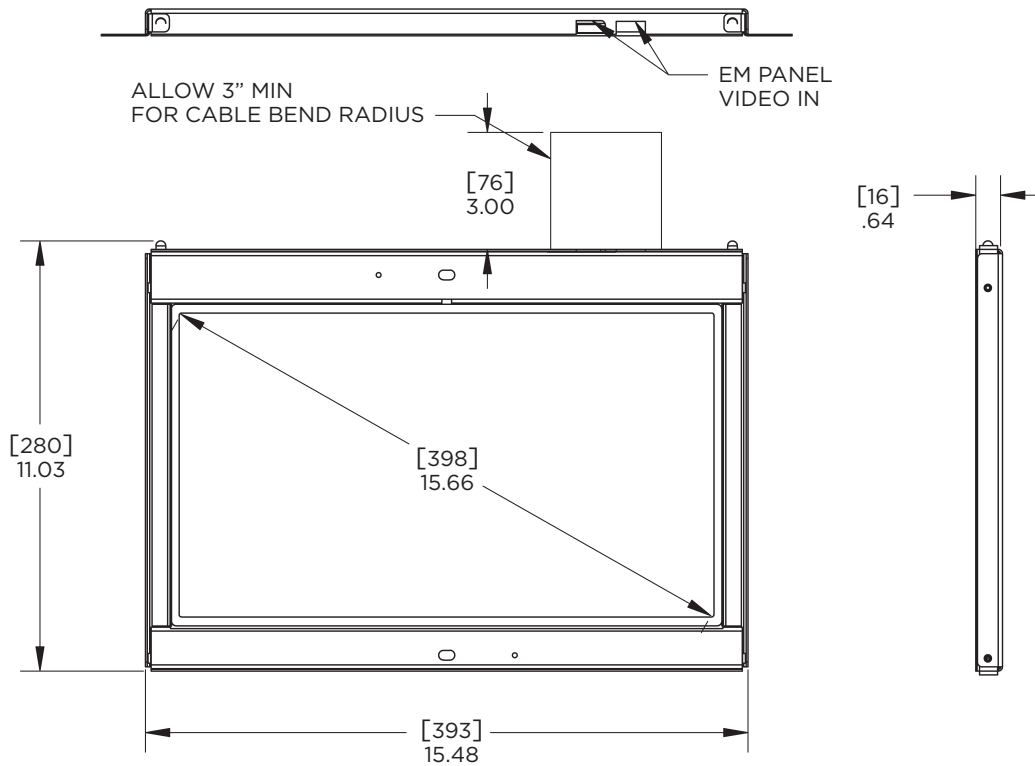


PROPRIETARY AND CONFIDENTIAL: The information contained in this specification is the sole property of Electric Mirror®. Any reproduction in part or in whole without written permission from Electric Mirror® is prohibited. Subject to change without notice.

© 2015 ELECTRIC MIRROR®

GENESIS DUO HOSPITALITY TV

Screen



PROPRIETARY AND CONFIDENTIAL: The information contained in this specification is the sole property of Electric Mirror®. Any reproduction in part or in whole without written permission from Electric Mirror® is prohibited. Subject to change without notice.

© 2015 ELECTRIC MIRROR®