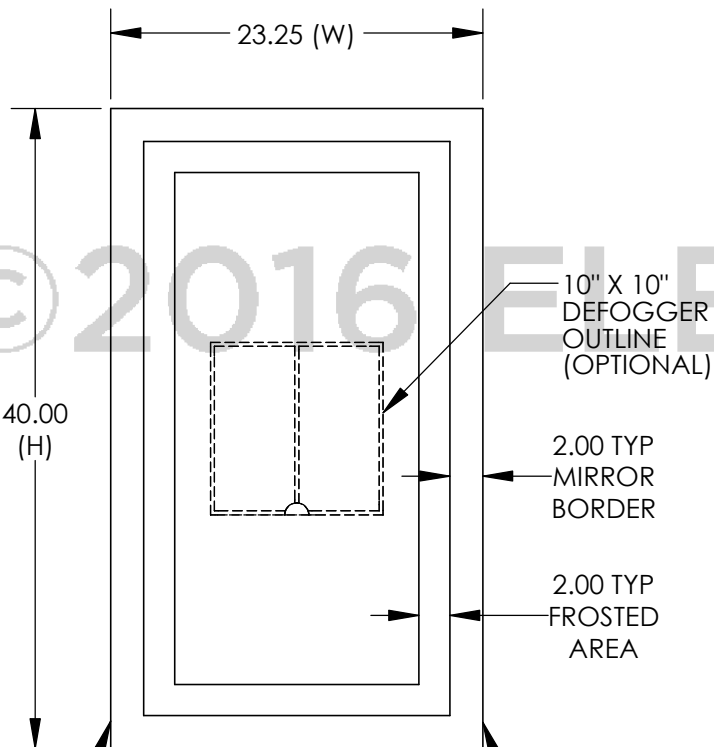
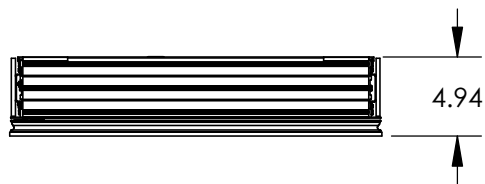
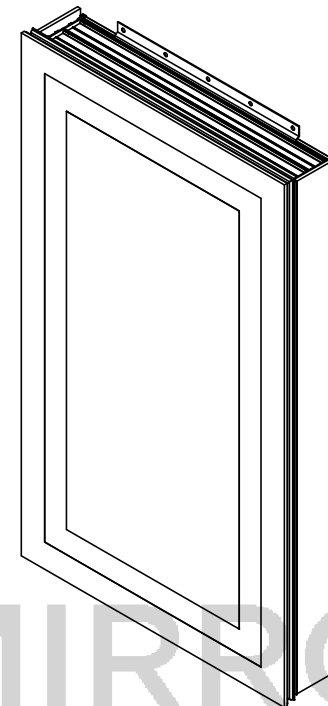


*BY APPROVING THIS DRAWING YOU ARE ENSURING THAT THESE DIMENSIONS HAVE BEEN FIELD VERIFIED.

APPROVED BY: _____ DATE: _____
 REVISION REQUESTED



LEFT OR RIGHT HINGING DOOR AVAILABLE. PLEASE SPECIFY WHEN PLACING AN ORDER.



SPECIFICATION:

THE MC CABLE IS BROUGHT IN THROUGH THE BACKSIDE CHASSIS KNOCKOUT AND CONNECTED TO WIRE DISCONNECT. NO ELECTRICAL BOX REQUIRED. CABINET MAY BE ON DEDICATED HOT CIRCUIT OR CONTROLLED BY LIGHT SWITCH, SEE INSTALLATION INSTRUCTIONS FOR WIRING DETAIL. *DIMMING COMPATIBLE - SEE INSTALLATION INSTRUCTIONS FOR WIRING DETAIL.

FIXTURE SHOULD BE MOUNTED TO A MECHANICALLY SOUND SURFACE SUCH AS WALL STUDS TO SUPPORT ITS WEIGHT. MOUNTING CLEATS ARE PROVIDED.

LED SPECIFICATION:

TYPE: HI-POWER LED
 AVG RATED LIFE (hrs): 50,000
 CCT (k): 3000
 CRI: 90

ELECTRIC MIRROR® 2016

AMBIANCE SURFACE MOUNT

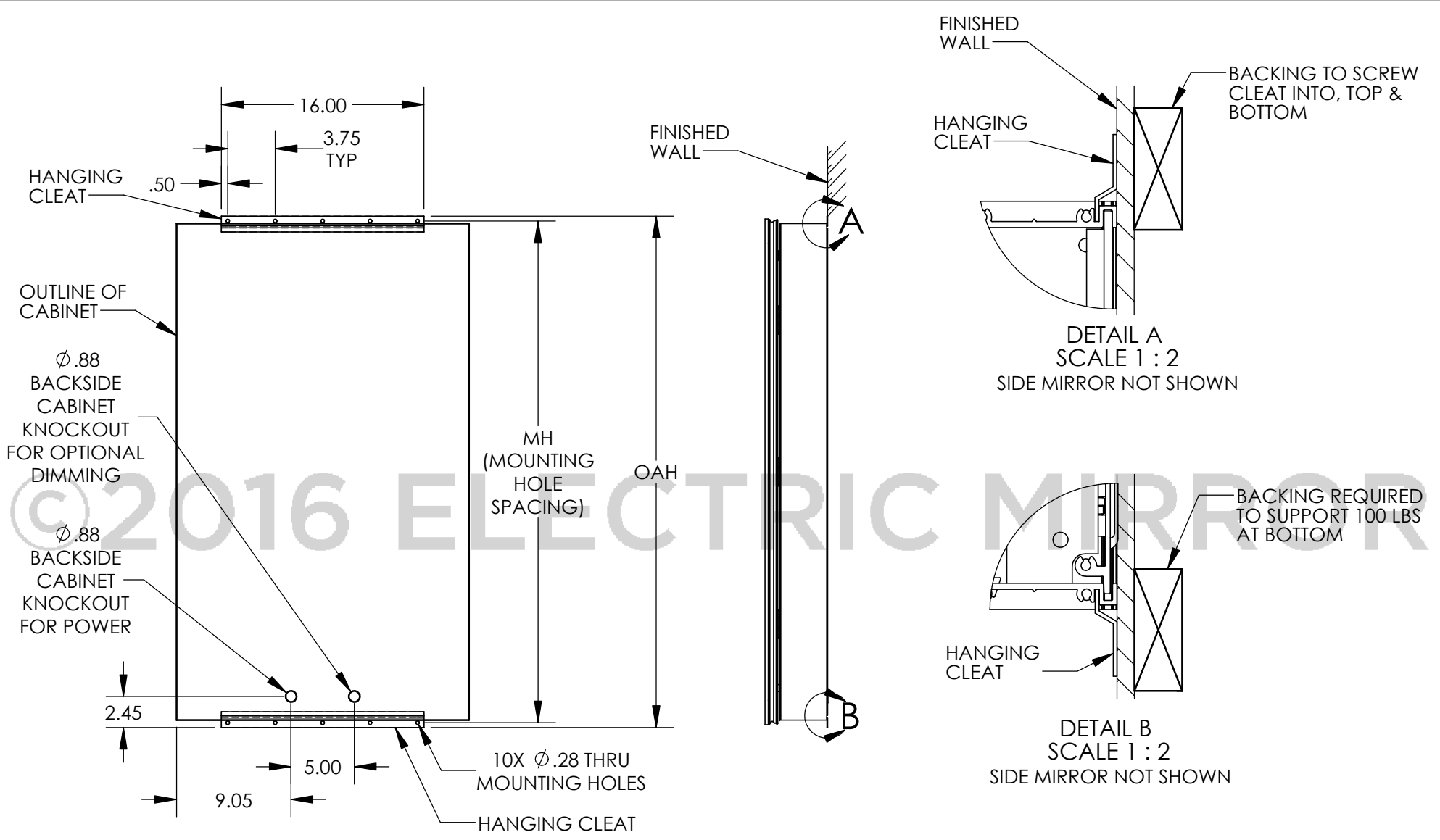
CONTACT US: consultants@electricmirror.com T+1.425.776.4946

SALES AID -8/17/2016

PROPRIETARY AND CONFIDENTIAL:

THE INFORMATION CONTAINED IN THIS DRAWING IS THE SOLE PROPERTY OF ELECTRIC MIRROR L.L.C. ANY REPRODUCTION IN PART OR AS A WHOLE WITHOUT THE WRITTEN PERMISSION OF ELECTRIC MIRROR L.L.C. IS PROHIBITED. © 2016 ELECTRIC MIRROR

DIMS IN INCHES	REV. A.1
SCALE: 1:12	PG. 1 OF 2



WALL HANGING DETAILS

MODEL SIZE	W	H	OAH	MH	AMPS @ 120V
AMB-23.25X30.00	23.25	30	30.42	29.67	0.32
AMB-23.25X36.00	23.25	36	36.42	35.67	0.38
AMB-23.25X40.00	23.25	40	40.42	39.67	0.42

ELECTRIC MIRROR® 2016

AMBIANCE SURFACE MOUNT

CONTACT US: consultants@electricmirror.com T+1.425.776.4946

SALES AID -8/17/2016

PROPRIETARY AND CONFIDENTIAL:

THE INFORMATION CONTAINED IN THIS DRAWING IS THE SOLE PROPERTY OF ELECTRIC MIRROR L.L.C. ANY REPRODUCTION IN PART OR AS A WHOLE WITHOUT THE WRITTEN PERMISSION OF ELECTRIC MIRROR L.L.C. IS PROHIBITED. © 2016 ELECTRIC MIRROR

DIMS IN INCHES REV. A.1

SCALE: 1:11 PG. 2 OF 2