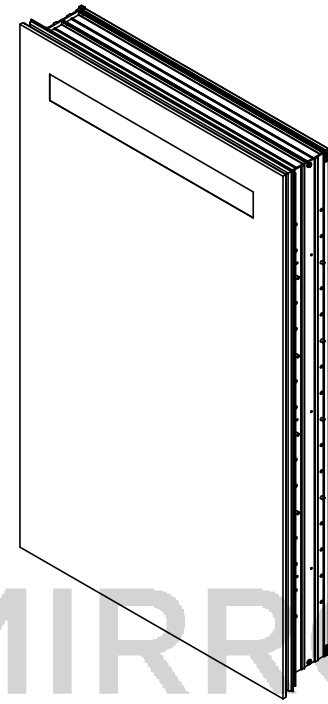
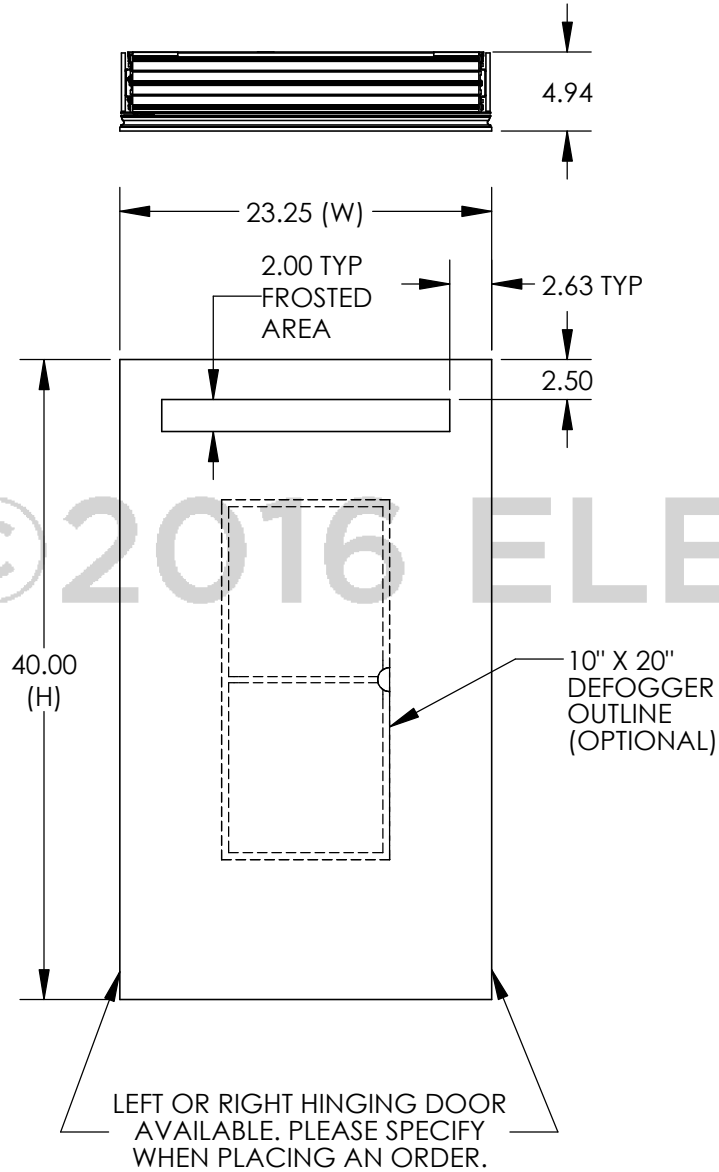


\*BY APPROVING THIS DRAWING YOU ARE ENSURING THAT THESE DIMENSIONS HAVE BEEN FIELD VERIFIED.

APPROVED BY: \_\_\_\_\_ DATE: \_\_\_\_\_

REVISION REQUESTED



**SPECIFICATION:**

THE MC CABLE IS BROUGHT IN THROUGH THE BACKSIDE CHASSIS KNOCKOUT AND CONNECTED TO WIRE DISCONNECT. NO ELECTRICAL BOX REQUIRED. CABINET MAY BE ON DEDICATED HOT CIRCUIT OR CONTROLLED BY LIGHT SWITCH, SEE INSTALLATION INSTRUCTIONS FOR WIRING DETAIL. \*DIMMING COMPATIBLE - SEE INSTALLATION INSTRUCTIONS FOR WIRING DETAIL.

FIXTURE SHOULD BE MOUNTED TO A MECHANICALLY SOUND SURFACE SUCH AS WALL STUDS TO SUPPORT ITS WEIGHT. MOUNTING CLEATS ARE PROVIDED.

**LED SPECIFICATION:**

TYPE: BEAUTIFUL WORLD FLEX LEDS  
 AVG RATED LIFE (hrs): 50,000  
 CCT (k): 3000  
 CRI: 90

**ELECTRIC MIRROR®** 2016

**LUMINOUS SURFACE MOUNT**

CONTACT US: consultants@electricmirror.com T+1.425.776.4946

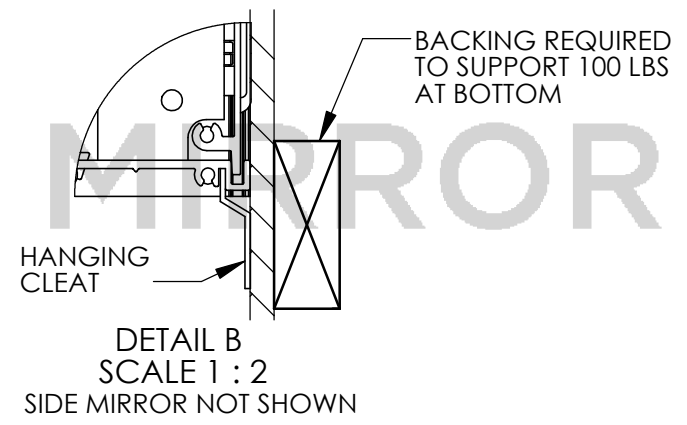
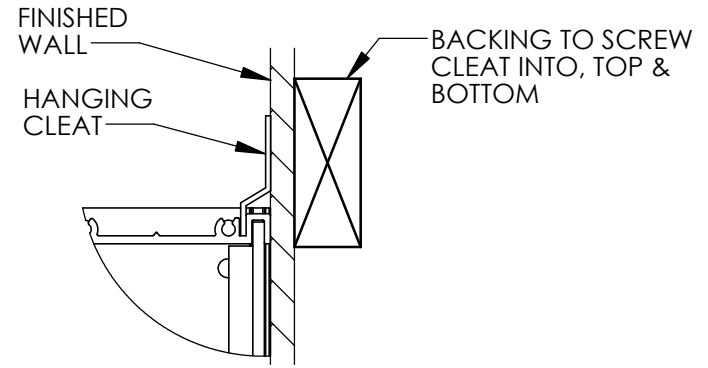
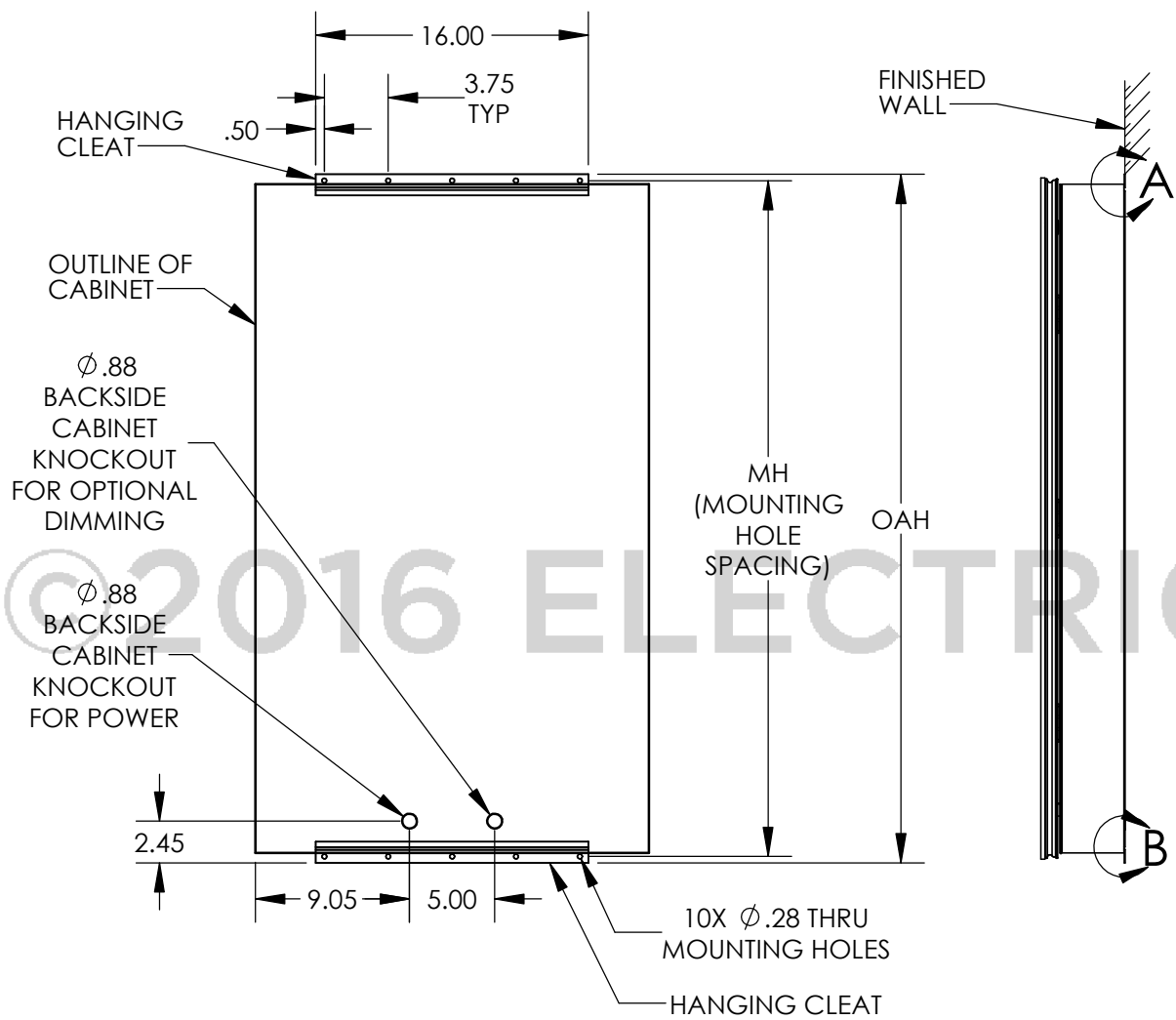
SALES AID -8/19/2016

**PROPRIETARY AND CONFIDENTIAL:**

THE INFORMATION CONTAINED IN THIS DRAWING IS THE SOLE PROPERTY OF ELECTRIC MIRROR L.L.C. ANY REPRODUCTION IN PART OR AS A WHOLE WITHOUT THE WRITTEN PERMISSION OF ELECTRIC MIRROR L.L.C. IS PROHIBITED. © 2016 ELECTRIC MIRROR

DIMS IN INCHES	REV. A.1
SCALE: 1:12	PG. 1 OF 2

©2016 ELECTRIC MIRROR



**WALL HANGING DETAILS**

MODEL SIZE	W	H	OAH	MH	AMPS @ 120V
LUM-23.25X30.00	23.25	30	30.42	29.67	0.09
LUM-23.25X36.00	23.25	36	36.42	35.67	0.09
LUM-23.25X40.00	23.25	40	40.42	39.67	0.09

**ELECTRIC MIRROR**® 2016

**LUMINOUS SURFACE MOUNT**

CONTACT US: consultants@electricmirror.com T+1.425.776.4946

SALES AID -8/19/2016

**PROPRIETARY AND CONFIDENTIAL:**

THE INFORMATION CONTAINED IN THIS DRAWING IS THE SOLE PROPERTY OF ELECTRIC MIRROR L.L.C. ANY REPRODUCTION IN PART OR AS A WHOLE WITHOUT THE WRITTEN PERMISSION OF ELECTRIC MIRROR L.L.C. IS PROHIBITED. © 2016 ELECTRIC MIRROR

DIMS IN INCHES REV. A.1

SCALE: 1:11 PG. 2 OF 2