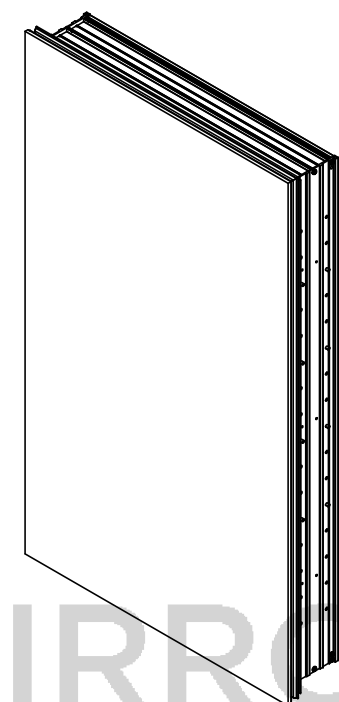
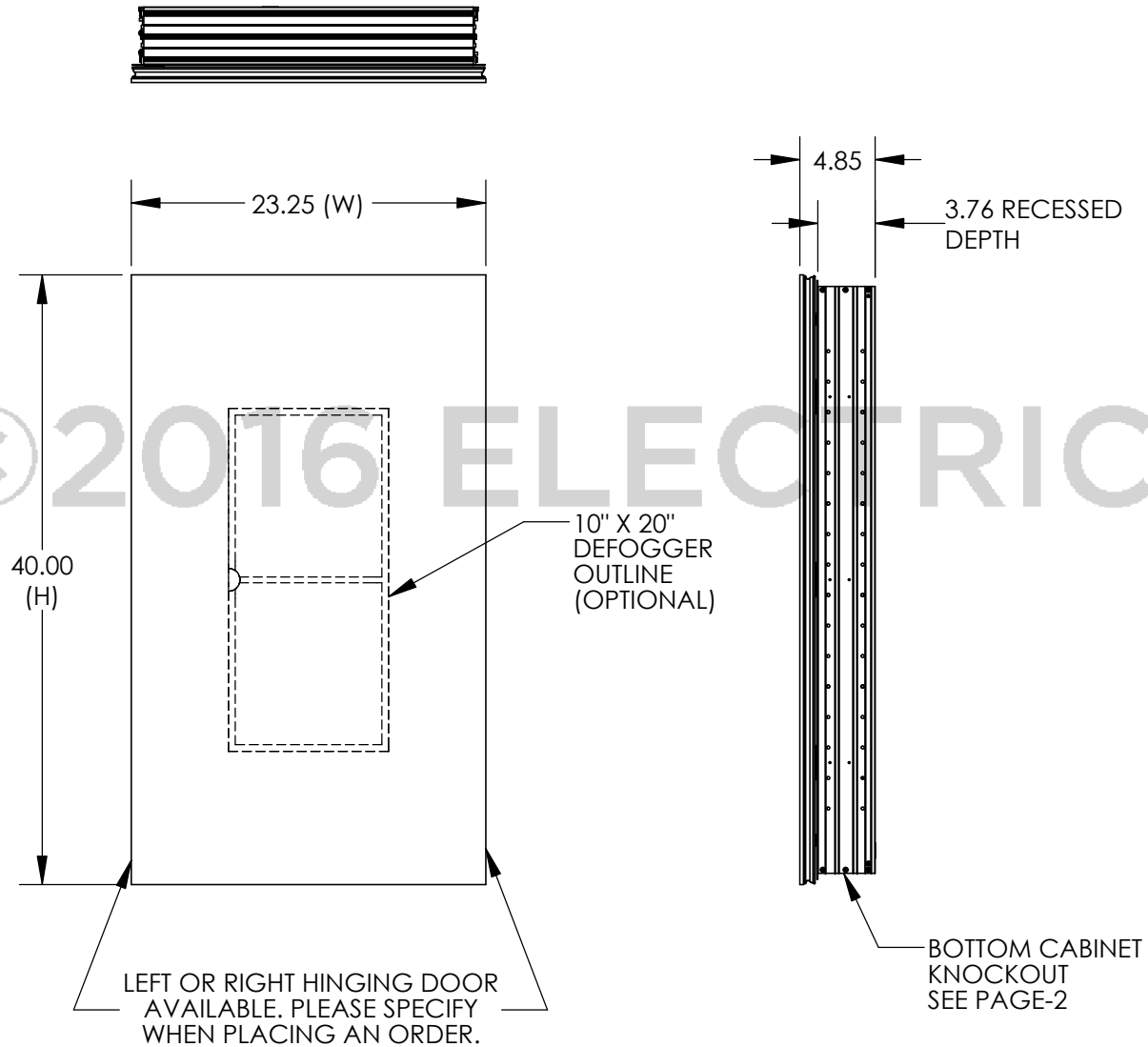


*BY APPROVING THIS DRAWING YOU ARE ENSURING THAT THESE DIMENSIONS HAVE BEEN FIELD VERIFIED.

APPROVED BY: _____ DATE: _____

REVISION REQUESTED



SPECIFICATION:

THE MC CABLE IS BROUGHT IN THROUGH THE BOTTOM SIDE CHASSIS KNOCKOUT AND CONNECTED TO WIRE DISCONNECT. NO ELECTRICAL BOX REQUIRED. CABINET MAY BE ON DEDICATED HOT CIRCUIT OR CONTROLLED BY LIGHT SWITCH, SEE INSTALLATION INSTRUCTIONS FOR WIRING DETAIL.

FIXTURE SHOULD BE MOUNTED TO A MECHANICALLY SOUND SURFACE SUCH AS WALL STUDS TO SUPPORT ITS WEIGHT. MOUNTING HOLES ARE PROVIDED IN THE CABINET.

ELECTRIC MIRROR® 2016

SIMPLICITY RECESSED MOUNT

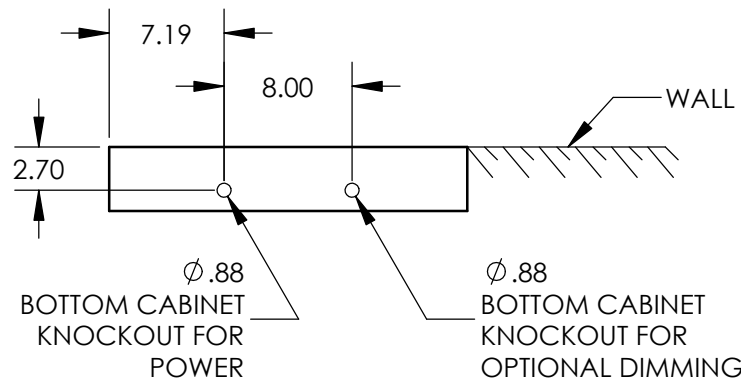
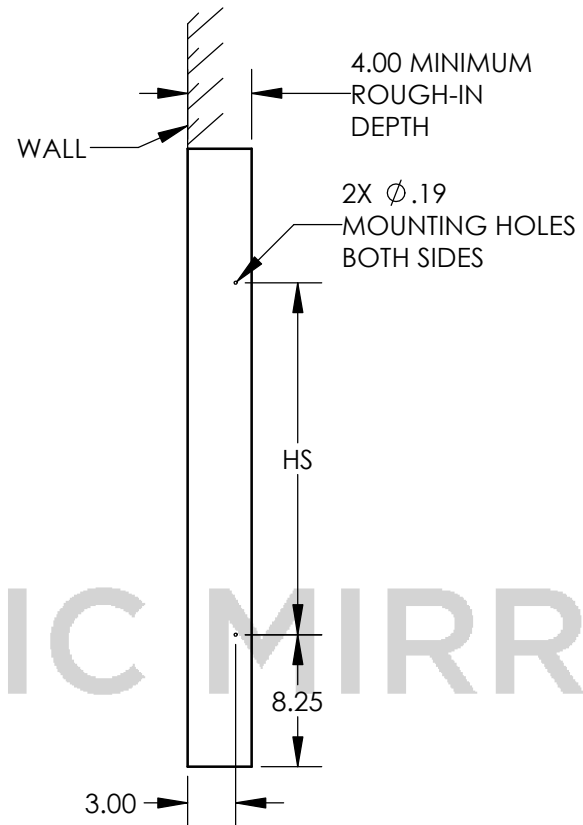
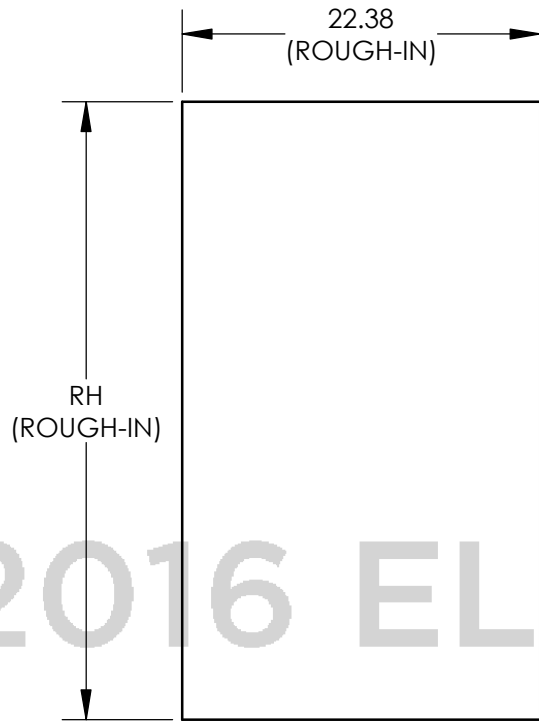
CONTACT US: consultants@electricmirror.com T+1.425.776.4946

SALES AID -8/19/2016

PROPRIETARY AND CONFIDENTIAL:

THE INFORMATION CONTAINED IN THIS DRAWING IS THE SOLE PROPERTY OF ELECTRIC MIRROR L.L.C. ANY REPRODUCTION IN PART OR AS A WHOLE WITHOUT THE WRITTEN PERMISSION OF ELECTRIC MIRROR L.L.C. IS PROHIBITED. © 2016 ELECTRIC MIRROR

DIMS IN INCHES	REV. A.1
SCALE: 1:12	PG. 1 OF 2



WALL MOUNTING DETAILS

MODEL SIZE	W	H	RH	HS
SIM-23.25X30.00	23.25	30	28.63	12
SIM-23.25X36.00	23.25	36	34.63	18
SIM-23.25X40.00	23.25	40	38.63	22

ELECTRIC MIRROR® 2016

SIMPLICITY RECESSED MOUNT

CONTACT US: consultants@electricmirror.com T+1.425.776.4946

SALES AID -8/19/2016

PROPRIETARY AND CONFIDENTIAL:

THE INFORMATION CONTAINED IN THIS DRAWING IS THE SOLE PROPERTY OF ELECTRIC MIRROR L.L.C. ANY REPRODUCTION IN PART OR AS A WHOLE WITHOUT THE WRITTEN PERMISSION OF ELECTRIC MIRROR L.L.C. IS PROHIBITED. © 2016 ELECTRIC MIRROR

DIMS IN INCHES

REV. A.1

SCALE: 1:12

PG. 2 OF 2