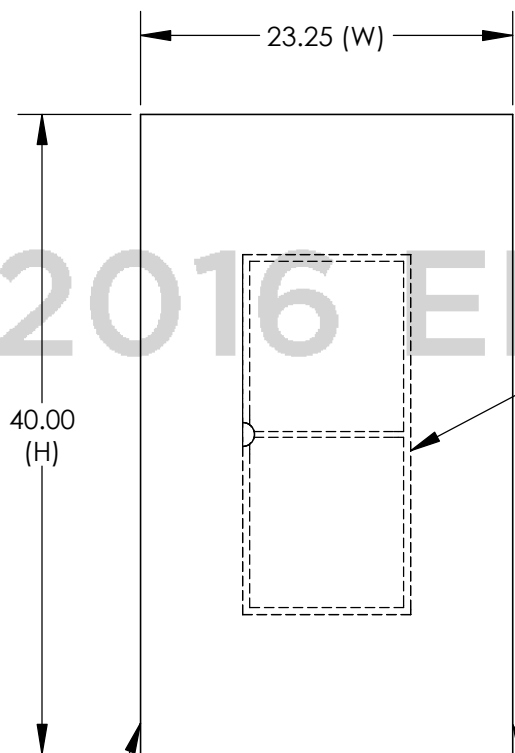
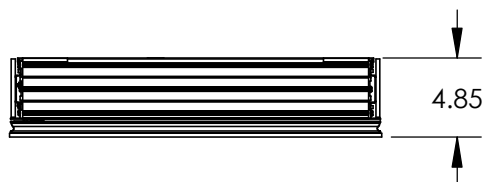


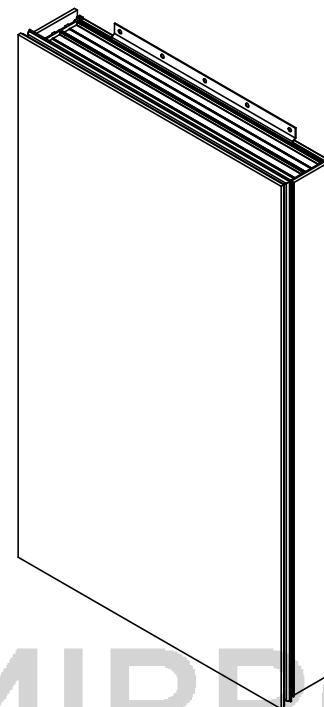
*BY APPROVING THIS DRAWING YOU ARE ENSURING THAT THESE DIMENSIONS HAVE BEEN FIELD VERIFIED.

APPROVED BY: _____ DATE: _____
 REVISION REQUESTED



10" X 20"
 DEFOGGER
 OUTLINE
 (OPTIONAL)

LEFT OR RIGHT HINGING DOOR
 AVAILABLE. PLEASE SPECIFY
 WHEN PLACING AN ORDER.



SPECIFICATION:

THE MC CABLE IS BROUGHT IN THROUGH THE BACKSIDE CHASSIS KNOCKOUT AND CONNECTED TO WIRE DISCONNECT. NO ELECTRICAL BOX REQUIRED. CABINET MAY BE ON DEDICATED HOT CIRCUIT OR CONTROLLED BY LIGHT SWITCH, SEE INSTALLATION INSTRUCTIONS FOR WIRING DETAIL.

FIXTURE SHOULD BE MOUNTED TO A MECHANICALLY SOUND SURFACE SUCH AS WALL STUDS TO SUPPORT ITS WEIGHT. MOUNTING CLEATS ARE PROVIDED.

ELECTRIC MIRROR® 2016

SIMPLICITY SURFACE MOUNT

CONTACT US: consultants@electricmirror.com T+1.425.776.4946

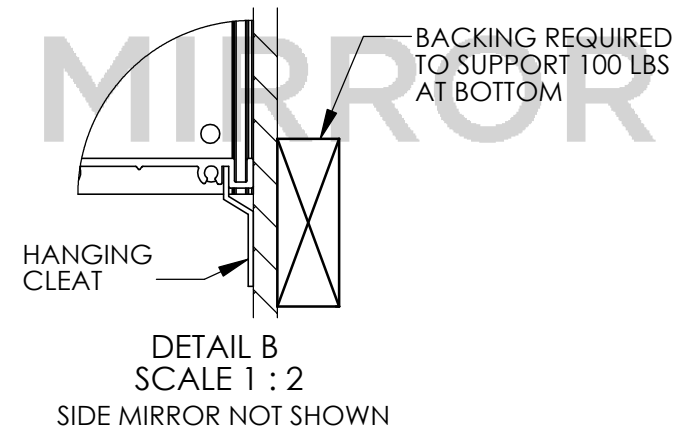
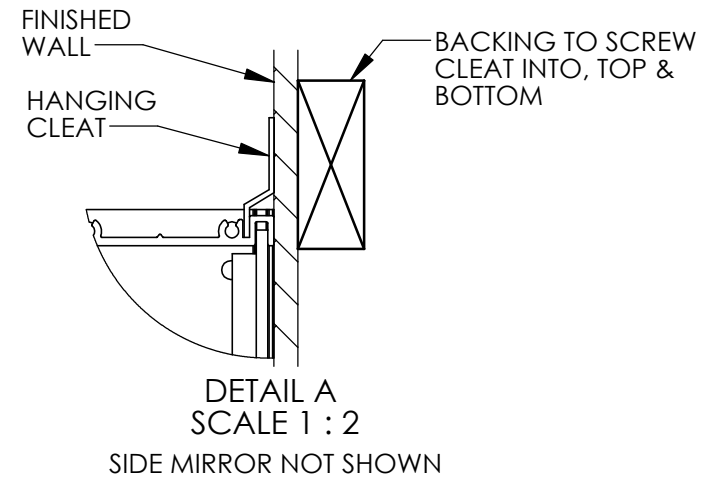
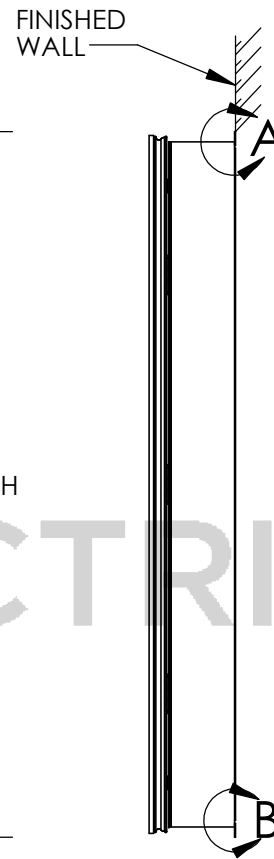
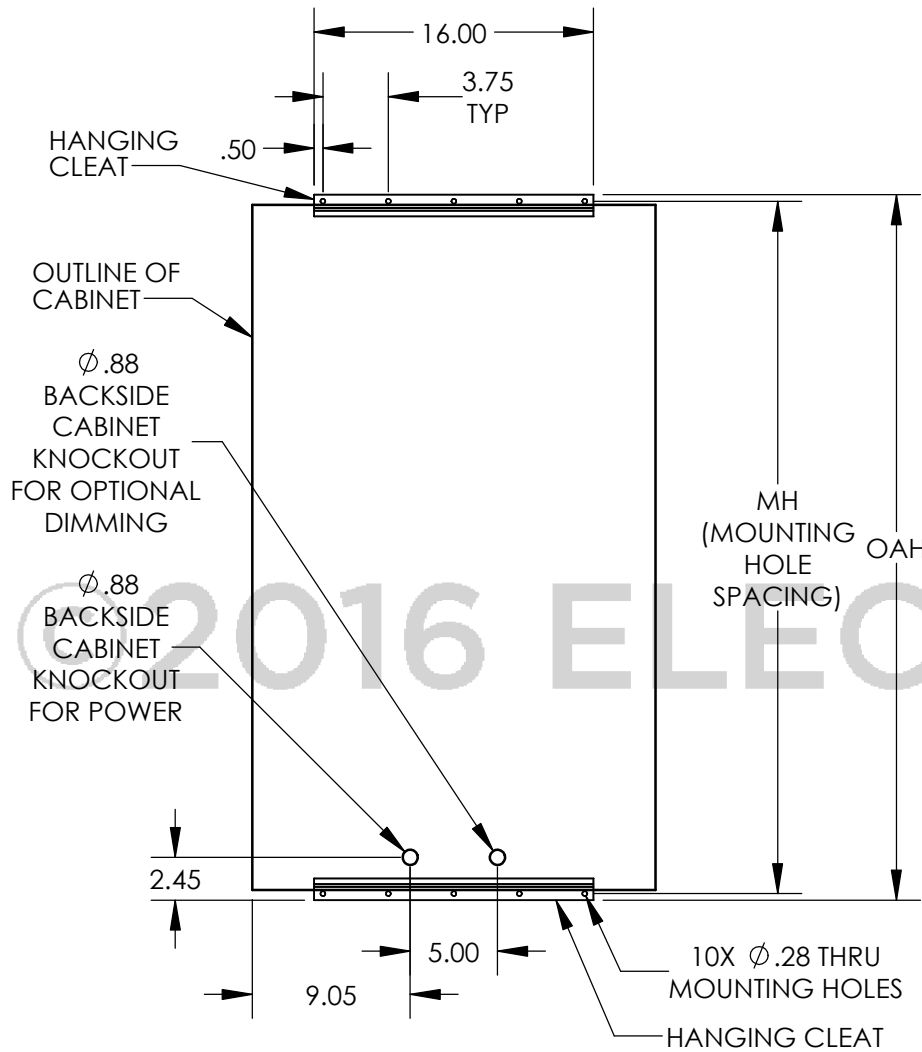
SALES AID -8/19/2016

PROPRIETARY AND CONFIDENTIAL:

THE INFORMATION CONTAINED IN THIS DRAWING IS THE SOLE PROPERTY OF ELECTRIC MIRROR L.L.C. ANY REPRODUCTION IN PART OR AS A WHOLE WITHOUT THE WRITTEN PERMISSION OF ELECTRIC MIRROR L.L.C. IS PROHIBITED. © 2016 ELECTRIC MIRROR

DIMS IN INCHES REV. A.1

SCALE: 1:12 PG. 1 OF 2



WALL HANGING DETAILS

MODEL SIZE	W	H	OAH	MH
SIM-23.25X30.00	23.25	30	30.42	29.67
SIM-23.25X36.00	23.25	36	36.42	35.67
SIM-23.25X40.00	23.25	40	40.42	39.67

ELECTRIC MIRROR® 2016

SIMPLICITY SURFACE MOUNT

CONTACT US: consultants@electricmirror.com T+1.425.776.4946

SALES AID -8/19/2016

PROPRIETARY AND CONFIDENTIAL:

THE INFORMATION CONTAINED IN THIS DRAWING IS THE SOLE PROPERTY OF ELECTRIC MIRROR L.L.C. ANY REPRODUCTION IN PART OR AS A WHOLE WITHOUT THE WRITTEN PERMISSION OF ELECTRIC MIRROR L.L.C. IS PROHIBITED. © 2016 ELECTRIC MIRROR

DIMS IN INCHES

REV. A.1

SCALE: 1:11

PG. 2 OF 2