

REFLECTION™ LIGHTED MIRROR TV

Installation Instructions



IMPORTANT SAFETY INSTRUCTIONS

Must be installed by a qualified technician.

Read these installation instructions. Keep these instructions for future use. Follow all instructions. Install in accordance with manufacturer's instructions.

FAILURE TO FOLLOW INSTRUCTIONS COULD RESULT IN DEATH OR SERIOUS BODILY HARM.
FAILURE TO FOLLOW INSTRUCTIONS VOIDS WARRANTY.

This luminaire must be mounted or supported independently of an outlet box. Make sure electrical connections are wired correctly. Power and neutral wires must be connected to the luminaire disconnect. Insert the power wire into the black colored insert and the neutral wire into the white colored insert.

The ground must be connected. Do not defeat the safety purpose of the grounding wire inside the chassis. The chassis must be grounded to avoid possible electrical shock.

CAUTION

READ ALL INSTRUCTIONS PRIOR TO INSTALLATION

WARNING:

TO PREVENT INJURY, THE MIRROR MUST BE INSTALLED IN ACCORDANCE WITH THE MANUFACTURER'S INSTRUCTIONS

CAUTION

THE ONLY USER-SERVICEABLE PARTS INSIDE ARE THE LAMPS.

OTHER COMPONENTS MUST BE SERVICED BY QUALIFIED ELECTRICIANS/PERSONNEL. LUMINAIRE DISCONNECT MUST BE DISCONNECTED PRIOR TO COMPONENT SERVICING.

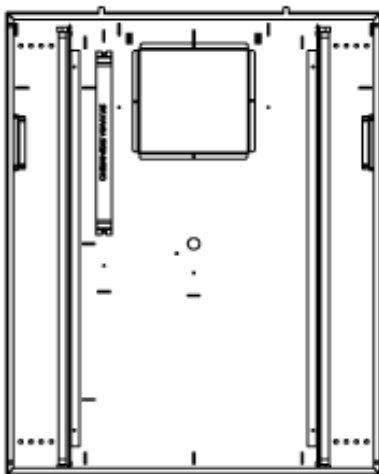
UNPACKING YOUR MIRROR TV

Verify Contents

Prior to installation, unpack items and verify contents. The lighted mirror comes with 3 boxes and lamps:

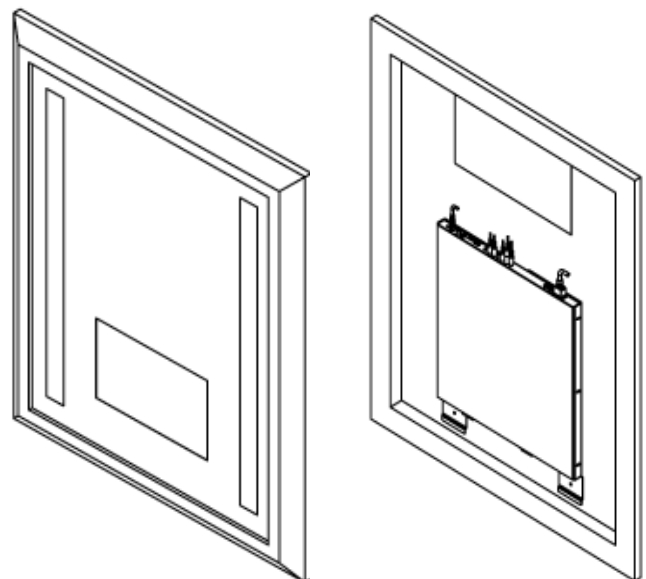
BOX 1: CHASSIS ASSEMBLY

Label will include part number: REF-(size)-C



BOX 2: MIRROR ASSEMBLY WITH INTEGRAL HANGERS

Label will include part number: REF-(size)-M



Front View

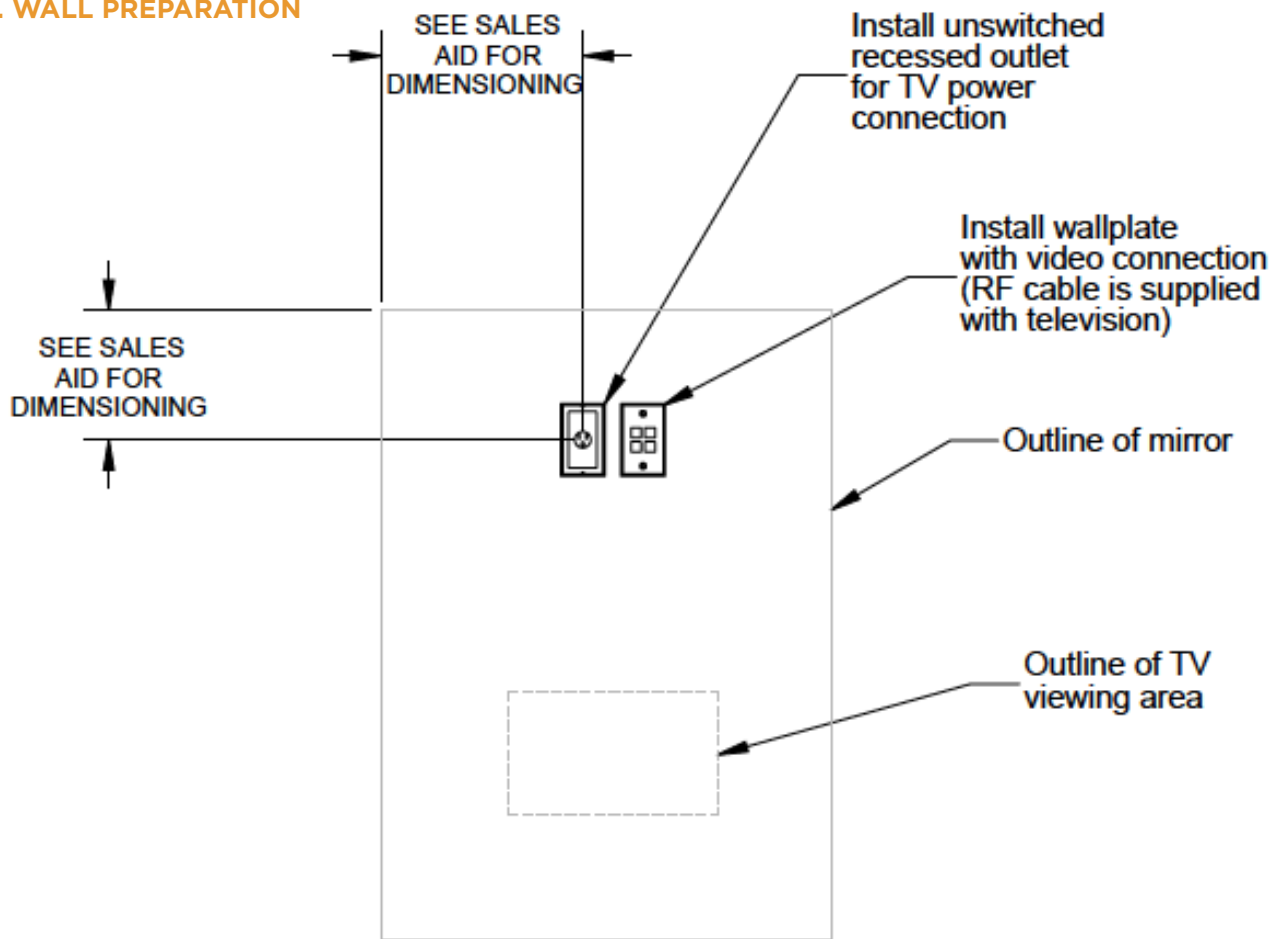
Back View

BOX 3: KIT-TV-XX

Includes remote, power cord, RF cable, & optional speakers

INSTALLATION

1. WALL PREPARATION



Ensure that a recessed power receptacle and a video 4-port wall plate are installed behind the mirror. For the United States and Canada, the recessed receptacle may need to be on a GFCI circuit. (Please check your local jurisdiction for projects outside the United States or Canada.) The recessed receptacle and 4-port plate should be placed within the referenced dimensions from the Sales Aid. Use a mud ring, in combination with the 4-port plate for AV connections. The Mirror TV comes with RF cable, HDMI, S-Video, VGA, and Component video connections. Please consult your AV specialist for which video connection is necessary for your project. In instances where the TV may be at the top of the mirror, please see a separate specification for this custom application.

2. MOUNTING CHASSIS ON THE WALL

Before mounting chassis on wall, identify mirror location on wall. Drill marks should be measured from the edge of the frame NOT FROM EDGE OF CHASSIS.

There are multiple mounting holes that can be chosen from to accommodate mounting locations. The chassis shall be installed with a minimum of (4) 1/4" x 1-1/2" lag screws or other engineering approved fasteners. Use wall anchors or reinforced backing areas to support chassis. See individual product specifications for mounting hole locations.

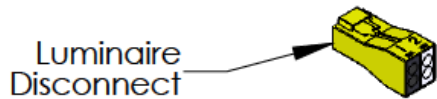
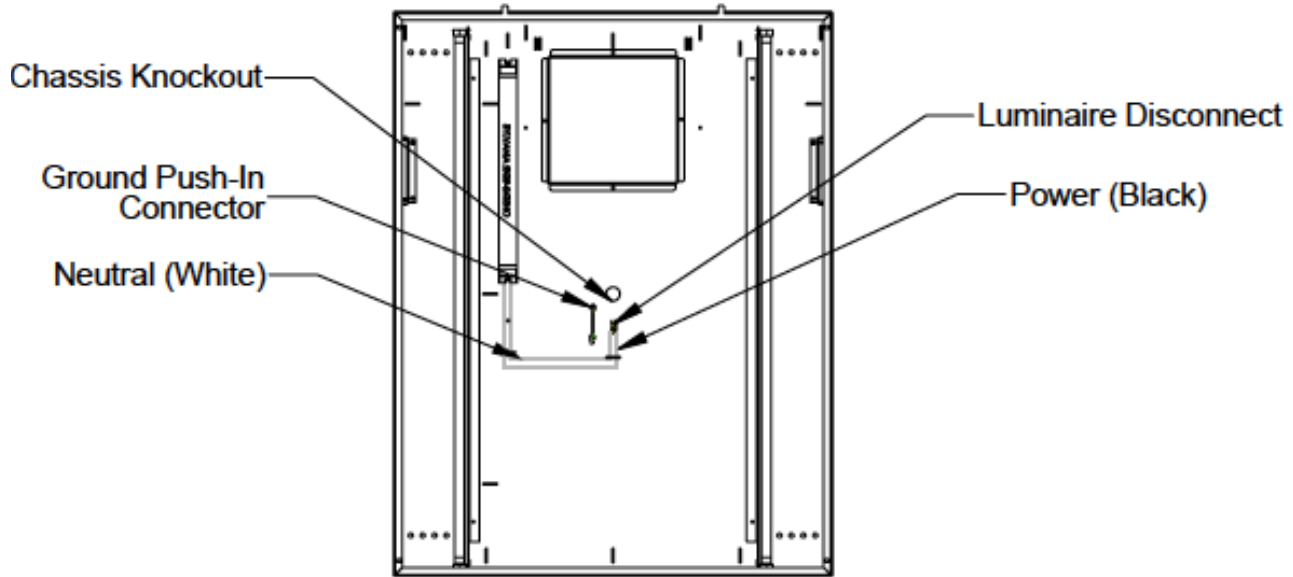
3. INSTALL LAMPS

Lamps should fit within the lamp holders provided in chassis. Rotate lamps to lock into place.

4. WIRING DETAILS

Please note, all electrical installations should be carried out by a fully qualified electrician in conformance with the National Electrical Code and local building codes.

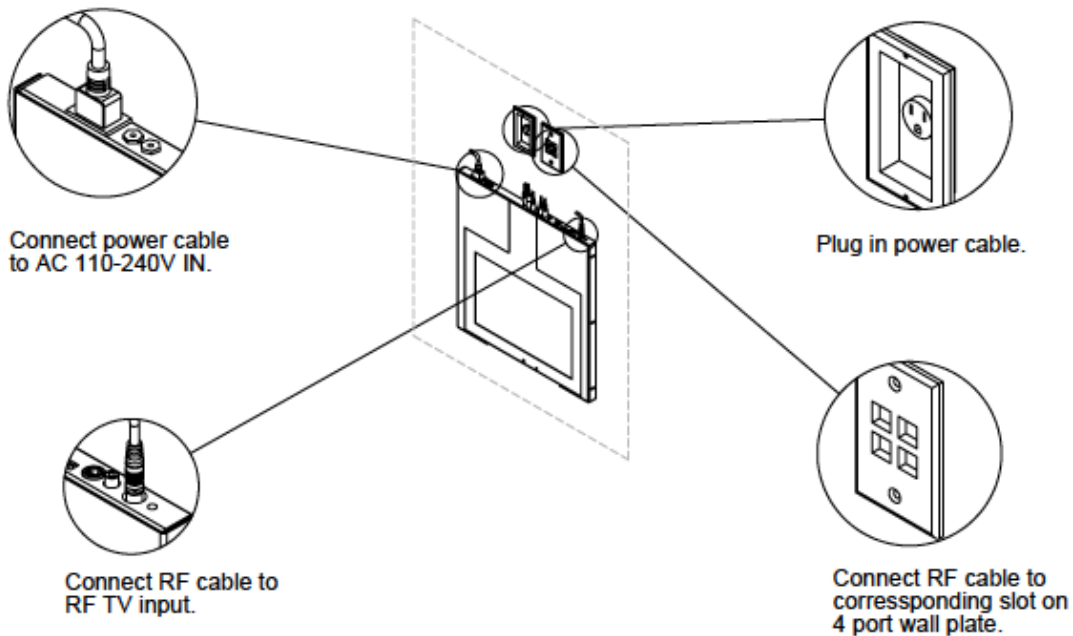
Insert ground wire in the grounded connector. Insert the power and neutral wires into the luminaire disconnect. The power wire is inserted into the black port (number 1) and the neutral wire is inserted into the white port (number 2).



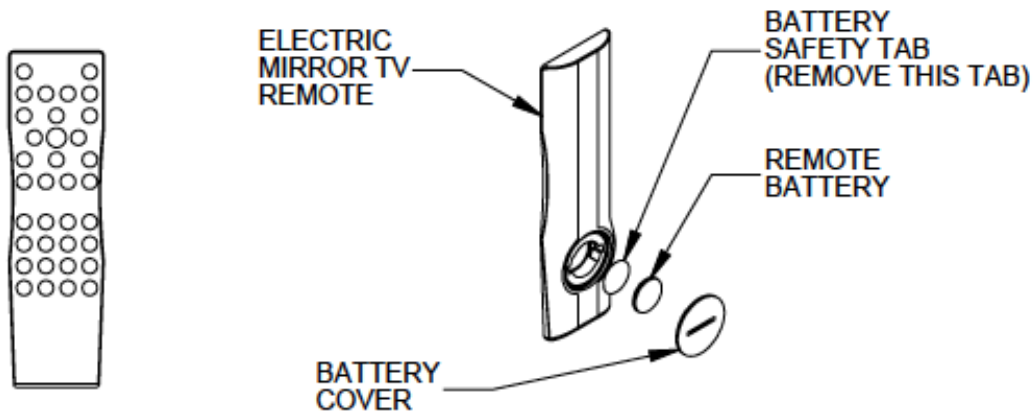
5. CONNECTIONS

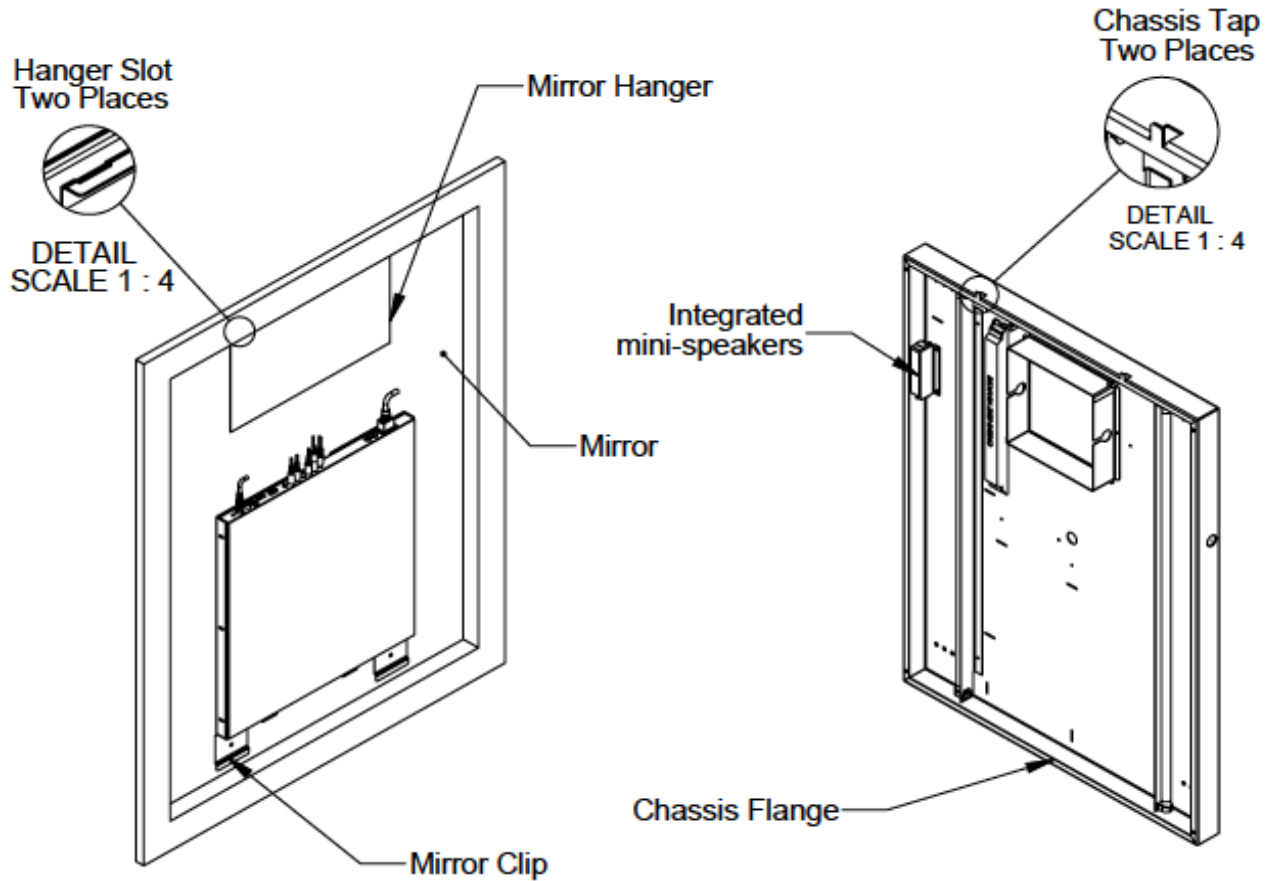
Power supply connection. Before proceeding to power supply wiring, make sure the MC cable is brought in through the wall and into the chassis knockout.

Connect Power and Video. Move the Mirror TV close to the final position and plug the power and video cables into their appropriate sources. Bring the mirror close to the chassis, insert the left and right audio cables from the speakers into the left and right audio outputs on the top of the TV. An RF cable is provided. Before hanging the unit, ensure that cables have sufficient slack.



Connect Power and Video. Move the Mirror TV close to the final position and plug the power and video cables into their appropriate sources. Bring the mirror close to the chassis, insert the left and right audio cables from the speakers into the left and right audio outputs on the top of the TV. An RF cable is provided. Before hanging the unit, ensure that cables have sufficient slack.





6. MIRROR MOUNTING

After the wiring process is complete, the mirror is ready to be hung on the chassis. The weight of the mirror is supported at the top of the chassis. The chassis flange, at the bottom of mirror, is used to keep the mirror from moving away from the wall.

Hang the mirror on the chassis by aligning the tabs on the chassis with the mirror hanger slots while holding the mirror against the chassis. Slide the mirror down, inserting the chassis tabs into the hanger slots. Make sure both tabs are engaged through hanger slots and the mirror clip overlaps the chassis flange.