

LOFT™

MIRROR TELEVISION

Installation Instructions



CAUTION

READ ALL INSTRUCTIONS PRIOR TO INSTALLATION

CAUTION

NO USER-SERVICABLE PARTS INSIDE. REFER SERVICING TO QUALIFIED PERSONNEL

WARNING:

TO PREVENT INJURY, THE MIRROR MUST BE INSTALLED IN ACCORDANCE WITH THE MANUFACTURER'S INSTRUCTIONS

IMPORTANT SAFETY INSTRUCTIONS

Please read these instructions and keep for future use.

Electrical receptacles in a bathroom or near water must be on a GFCI (Ground Fault Circuit Interrupter).

DO NOT install in a wet location such as a shower, tub area or where water can easily spray on the unit.

Failure to follow these instructions could result in deadly bodily harm. Failure to follow these instructions will void warranty. Use only the wall attachments provided by the manufacturer.

CLEANING INSTRUCTIONS

Proper cleaning procedures must be followed to protect the life of the mirror. Failure to follow these instructions may result in damage to the face and back of the glass. The following are recommendations for the care of your mirror:

The very best and safest cleaner for a mirror is clean, warm water used with a soft, lint free cloth. Wring all water from the cloth before wiping the mirror. Dry the mirror immediately with a dry lint-free cloth. Care should always be taken to avoid getting the edges of the mirror wet with any liquid or substance. This can result in damage to the mirror edges, commonly called "black edge". Don't use acid or alkali cleaners, or cleaners containing ammonia or vinegar, for mirror cleanup after installation. Either substance can attack the front surface and edges as well as the backing of the mirror. No abrasive cleaners should ever be used on any mirror surface. Don't spray cleaners directly on the mirror. Always apply cleaner directly to a soft cloth and then wipe the mirror. This will help prevent the cleaner from contacting the edges of the mirror and damaging it. Don't clean across the face of multiple mirrors at the same time. When cleaning several mirrors installed on a wall, wipe the joints in the same direction as the face. This will keep the cleaner from collecting in the area where the mirrors join.

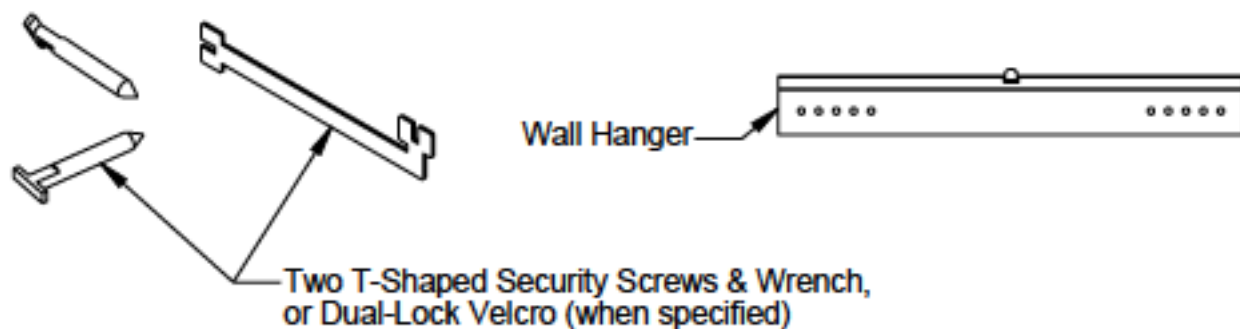
UNPACKING YOUR MIRROR TV

Verify Contents

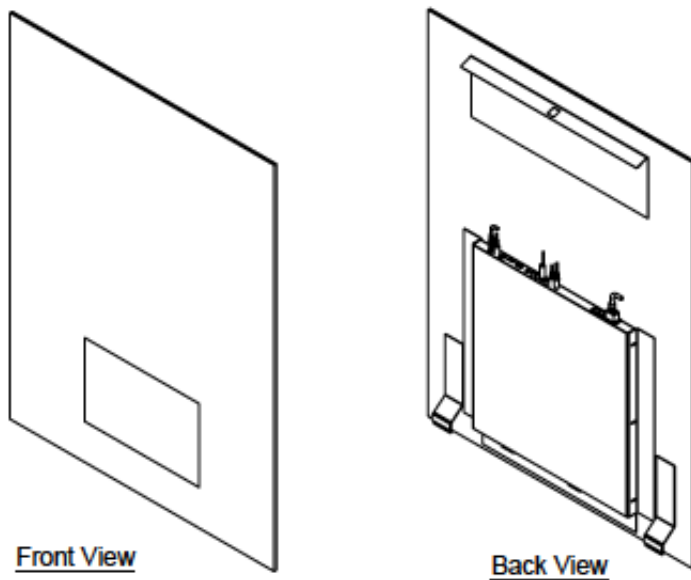
Prior to installation, unpack items and verify contents.

BOX 1: WALL HANGERS AND SECURITY SCREWS

Label will include part numbers Wall Hanger, T-screw wrench, and Mounting Bracket.



BOX 2: MIRROR ASSEMBLY WITH INTEGRAL HANGERS

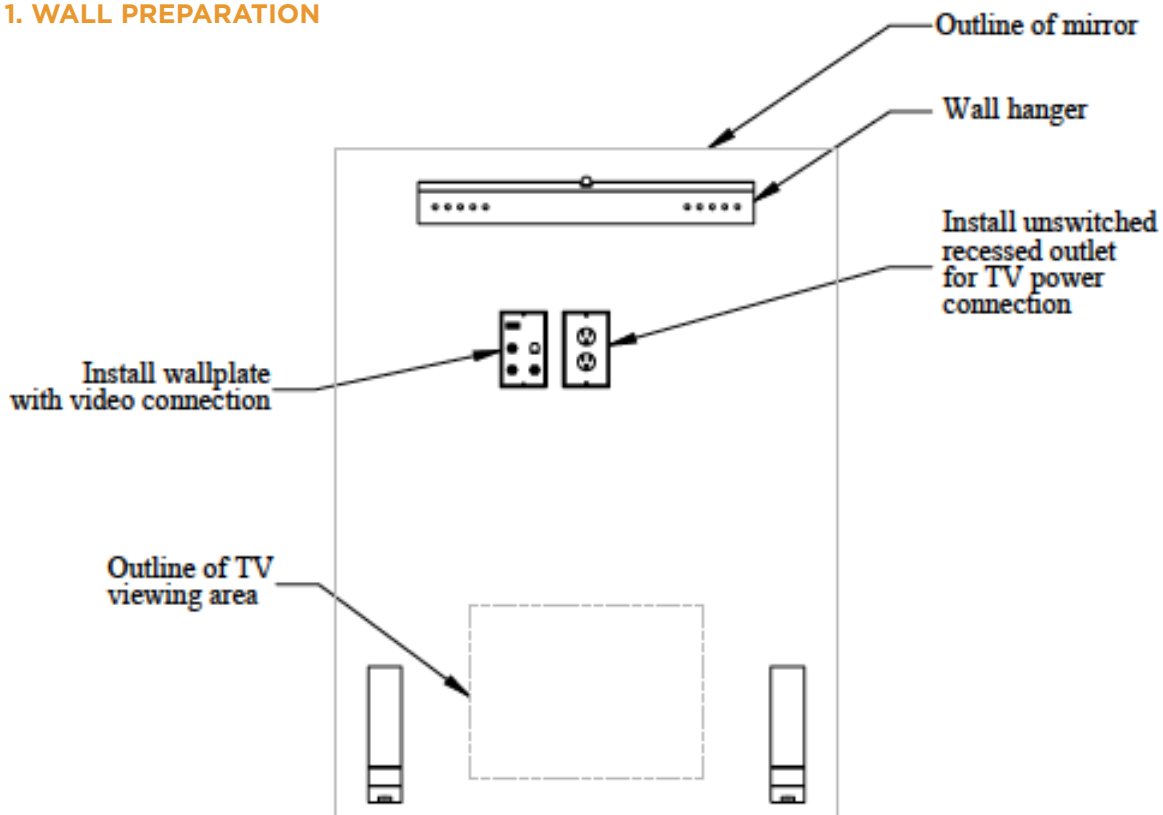


BOX 3: KIT-TV-XX

Includes remote, power cord, RF cable, & optional speakers

INSTALLATION

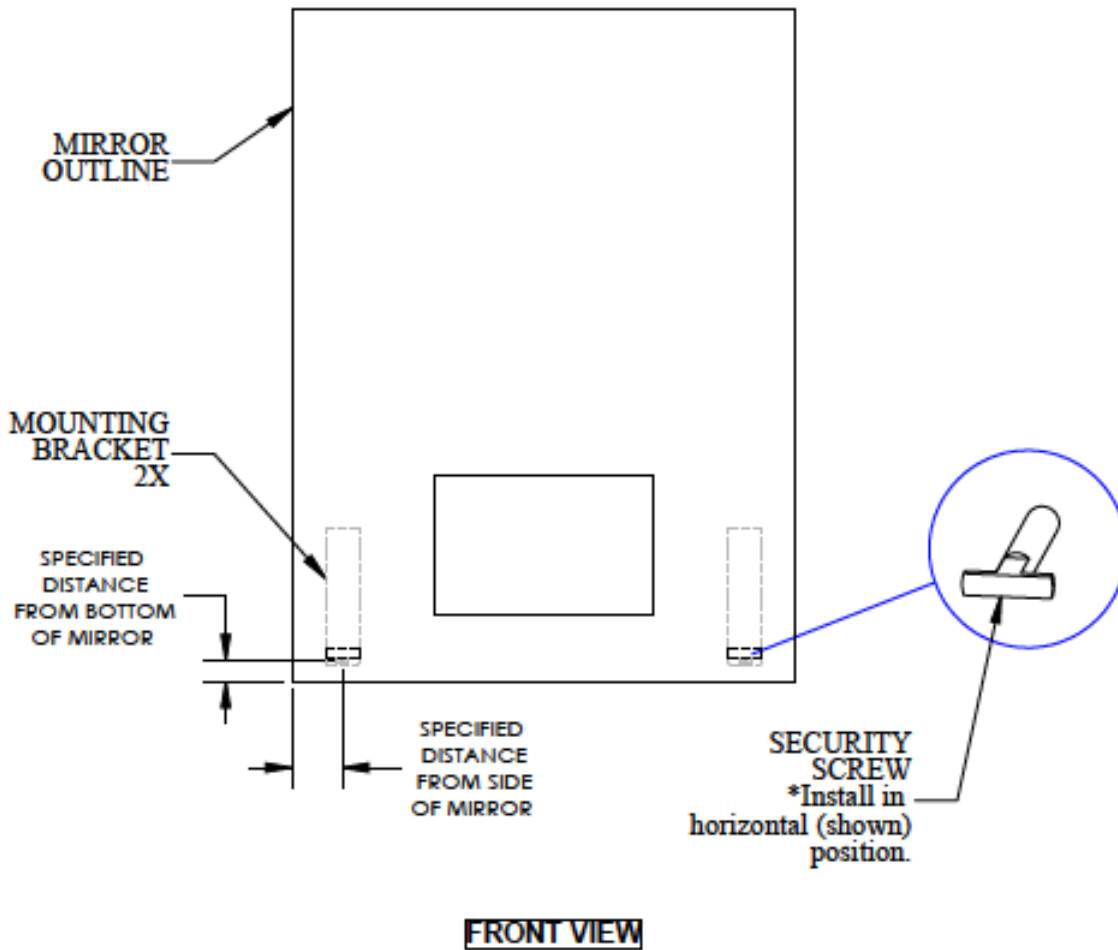
1. WALL PREPARATION



Ensure that a recessed power receptacle and a video 4-port wall plate are installed behind the mirror. For the United States and Canada, the recessed receptacle may need to be on a GFCI circuit. (Please check your local jurisdiction for projects outside the United States or Canada.) The recessed receptacle and 4-port plate should be placed in accordance to the Sales Aid drawing. Use a mud ring, in combination with the 4-port plate for AV connections. The Mirror TV comes with RF cable, HDMI, S-Video, VGA, and Component video connections. Please consult your AV specialist for which video connection is necessary for your project. In instances where the TV may be at the top of the mirror, please see a separate specification for this custom application. Before mounting Mirror TV on wall, identify specific mirror location on wall. Drill marks should be measured from the edge of the mirror.

2. MOUNTING BRACKETS

Mark security screw locations for mounting brackets and install. Use flat wrench provided to turn screws. Make sure the screws are installed in horizontal position. In some installations, such as with a tile wall, it may be difficult to install security screws; in these cases, when specified in advance, Dual-lock Velcro will be already attached to the bottom mirror security bracket.



3. MOUNTING MIRROR T ON THE WALL HANGER

Ensure that the tab on the Wall Hanger is through the slot in the Mirror Hanger.

The Mirror TV shall be installed with a minimum of (4) 1/4" x 1-1/2" lag screws or other engineering approved fasteners. Use wall anchors or reinforced backing areas to support chassis. See individual product specifications for mounting hole locations.

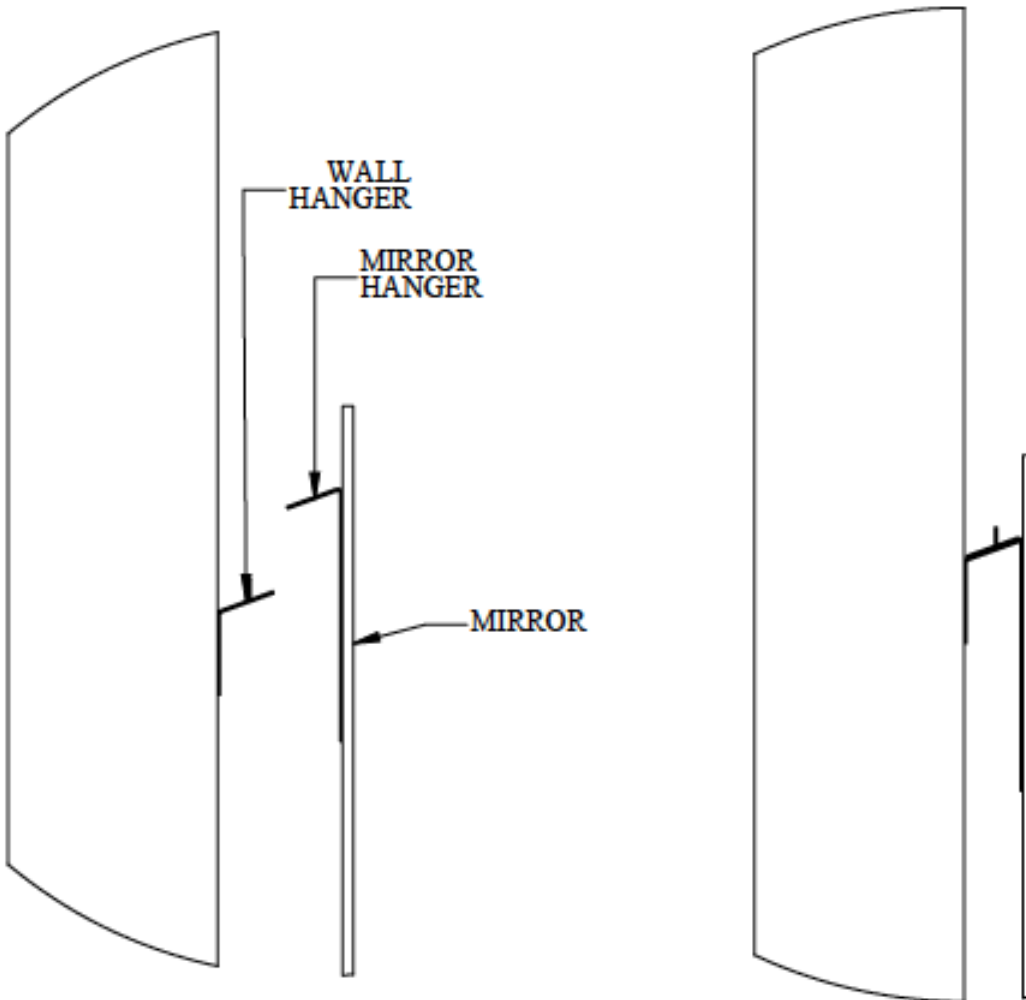
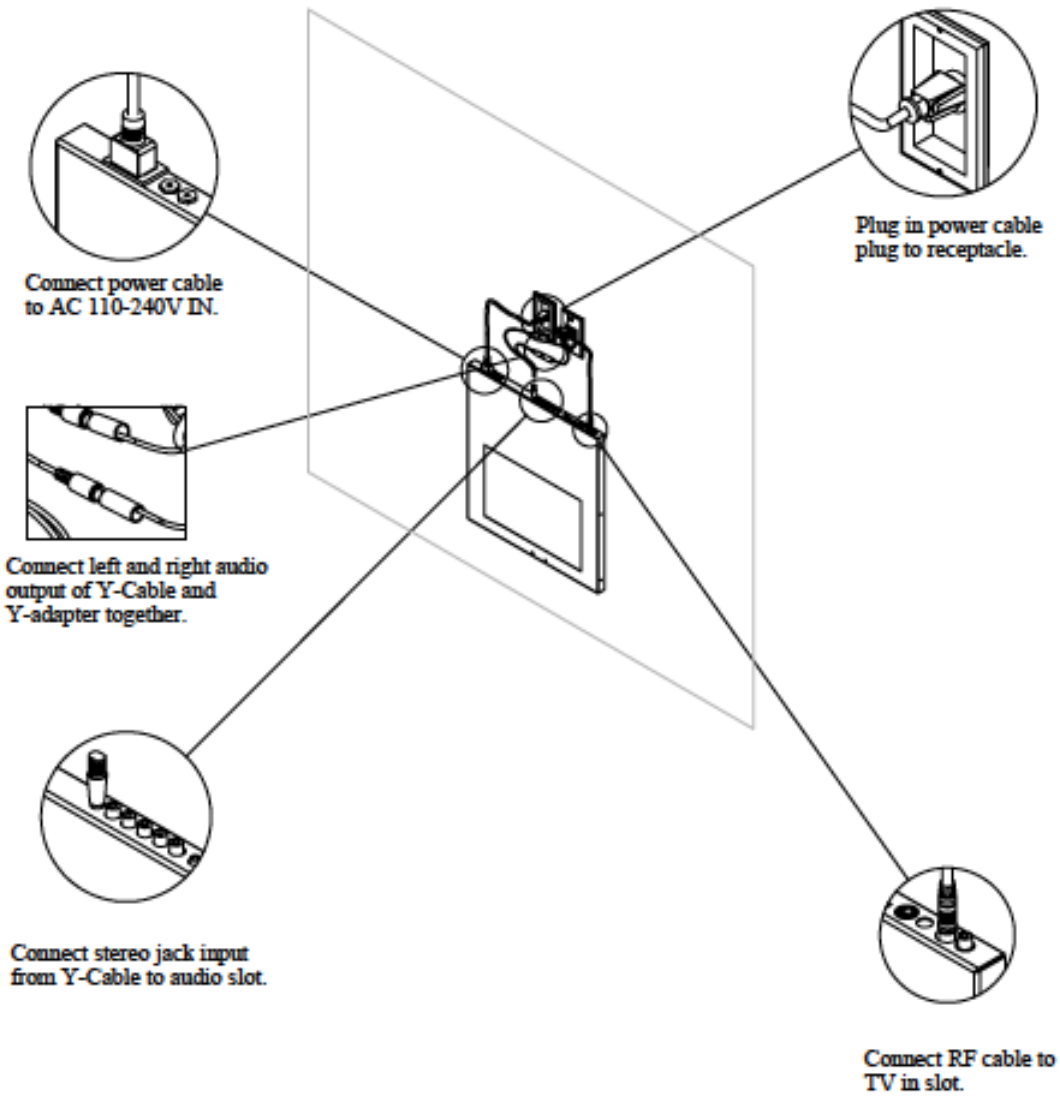


Figure 4: Mounting mirror on wall hanger.

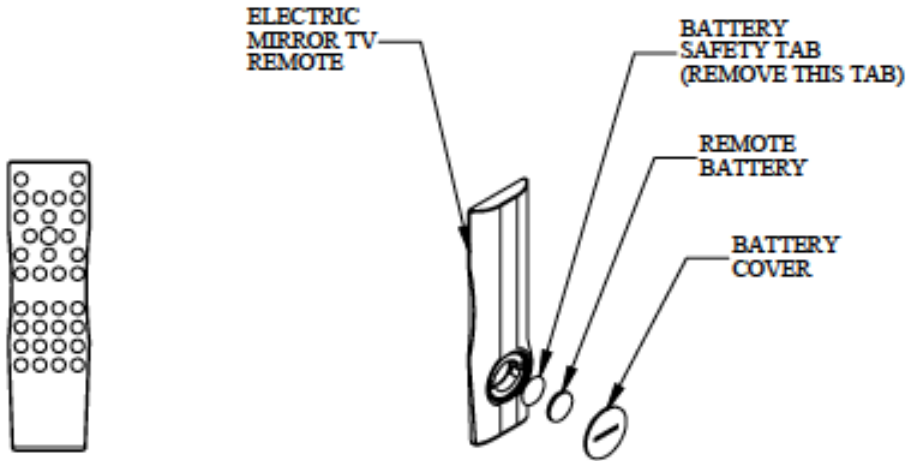
4. WIRING DETAILS

Connect Power and Audio/Video. Move the Mirror TV into position and plug the power, video and audio cords into their appropriate sources. Connecting cables are provided. This will vary based on cable/VOD system being used. Before hanging unit, ensure that cables have sufficient slack.



5. REMOTE CONTROL

Power up the TV unit and test audio and video functionality. The LCD TV operates by remote control only. Take the batteries out of the remote. Remove the safety tab, place the batteries back inside and close. Turn TV on. Hit the source button to search for RF source. Hit the scan button to auto scan the TV to cable channel. Refer to the TV Operation Manual for instructions on how to operate the TV.



6. LOCK SECURITY SCREWS TO SECURE MIRROR TO WALL

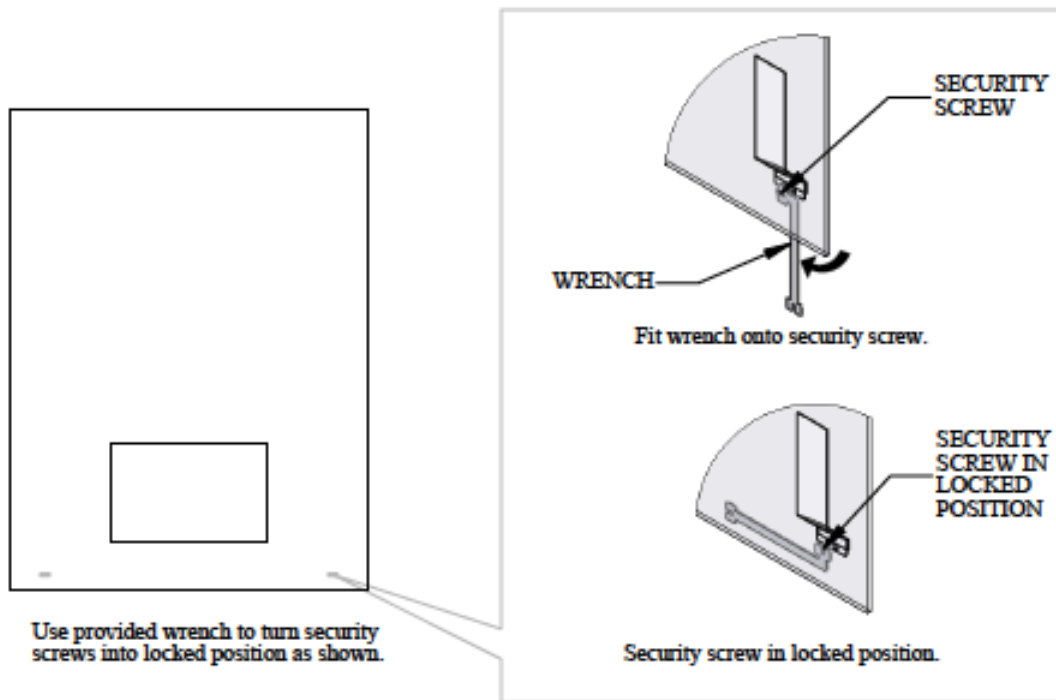


Figure 7: Mirror locking details.