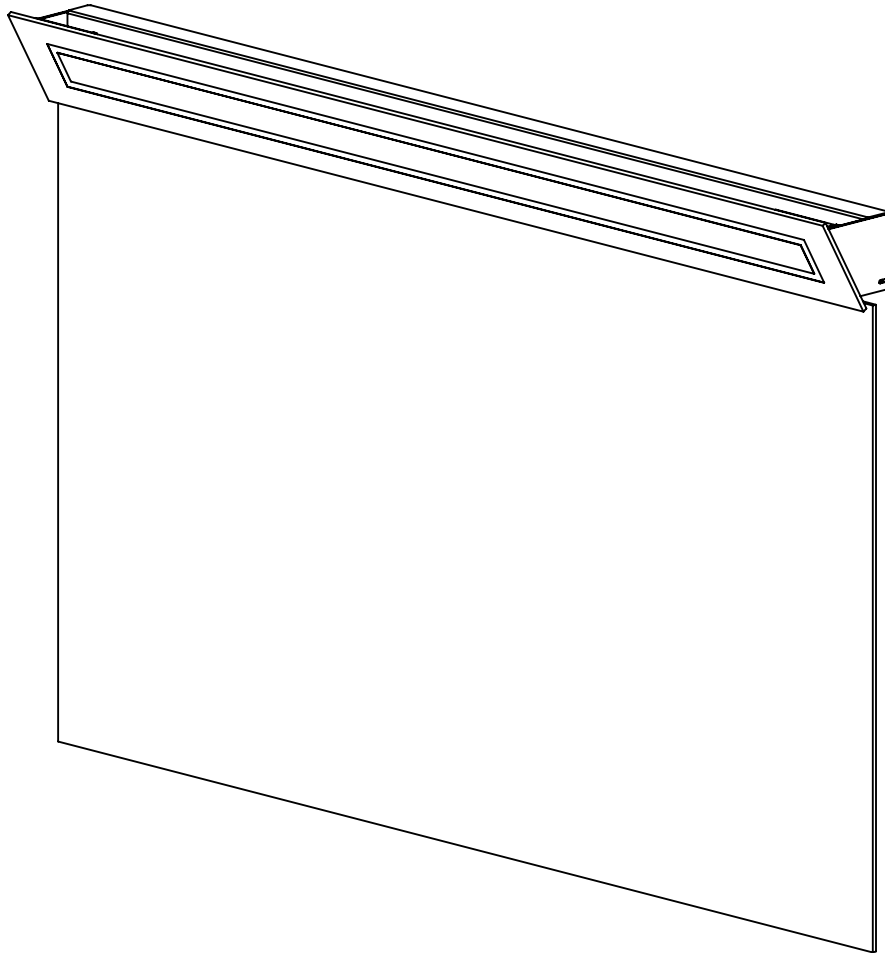


BOULEVARD™ LIGHTED MIRROR

INSTALLATION INSTRUCTIONS

THERE'S ONLY ONE™ ELECTRIC MIRROR®



Important Safety Instructions

Must be installed by a qualified technician.

Read these installation instructions. Keep these instructions for future use. Follow all instructions. Install in accordance with manufacturer's instructions.

FAILURE TO FOLLOW INSTRUCTIONS COULD RESULT IN DEATH OR SERIOUS INJURY

FAILURE TO FOLLOW INSTRUCTIONS VOIDS WARRANTY.

This luminaire must be mounted or supported independently of an outlet box. Make sure electrical connections are wired correctly. Power and neutral wires must be connected to the luminaire disconnect. Insert the power wire into the black colored insert and the neutral wire into the white colored insert.

The ground must be connected. Do not defeat the safety purpose of the grounding wire inside the chassis. The chassis must be grounded to avoid possible electrical shock.

CAUTION

READ ALL INSTRUCTIONS
PRIOR TO INSTALLATION

WARNING: TO PREVENT INJURY, THE MIRROR MUST BE INSTALLED IN ACCORDANCE WITH THE MANUFACTURER'S INSTRUCTIONS

CAUTION: THE ONLY USER SERVICEABLE PARTS INSIDE ARE THE LAMPS.

OTHER COMPONENTS MUST BE SERVICED BY QUALIFIED ELECTRICIANS. LUMINAIRE DISCONNECT MUST BE DISCONNECTED PRIOR TO COMPONENT SERVICING

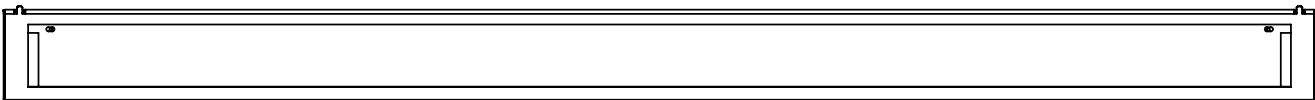
Unpacking your Backlit Mirror

Verify Contents

Prior to installation, unpack items and verify contents. The backlit mirror comes with 2 boxes. The non-lighted mirror comes with 1 box.

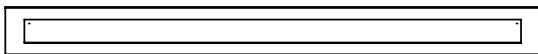
Box 1: Chassis Assembly

Label will include part number: BOU-(SIZE)-C

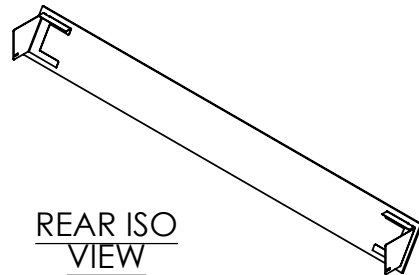


Box 2: Mirror Assembly with Integral Hangers

Label will include part number: BOU-(SIZE)-M



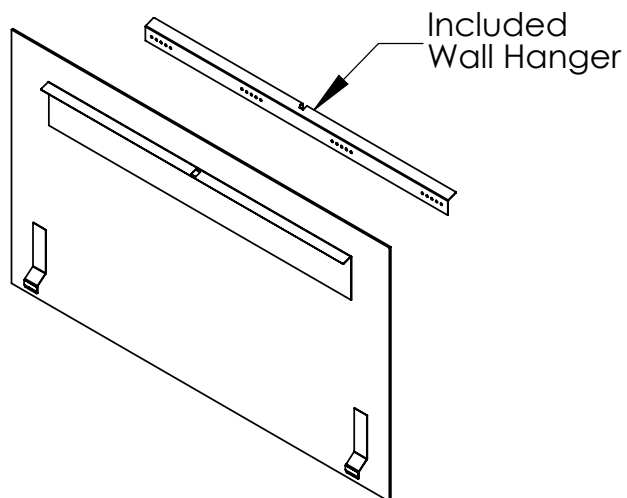
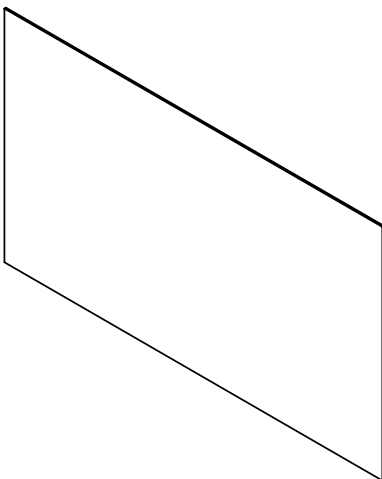
FRONT VIEW



REAR ISO VIEW

Box 3: Non-Lighted Mirror with Integral Hangers

Label will include part number: MIR-(SIZE)-M



Installation

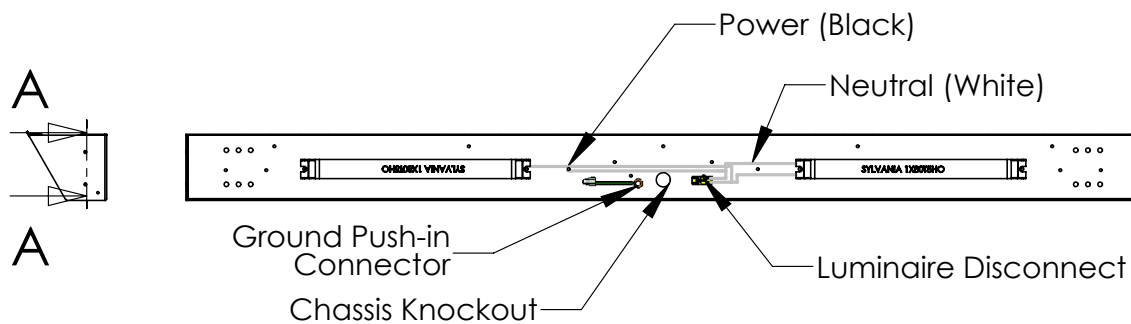
1) Mount the chassis on the wall

Prior to mounting the chassis on the wall, identify mirror location on wall. Drill marks should be measured from the edge of mirror. NOT FROM EDGE OF CHASSIS

There are multiple mounting holes that can be chosen to accommodate mounting locations. The chassis shall be installed with a minimum of (4) 1/4x1 1/2" lag screws or other engineering approved fasteners. Use wall anchors or reinforced backing areas to support chassis. See individual product specification for mounting hole locations.

2) Wiring Details.

Please note, all electrical installations should be carried out by a fully qualified electrician in conformance with the National Electric code and local building codes.



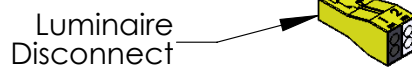
3) Power Connection

SECTION A-A

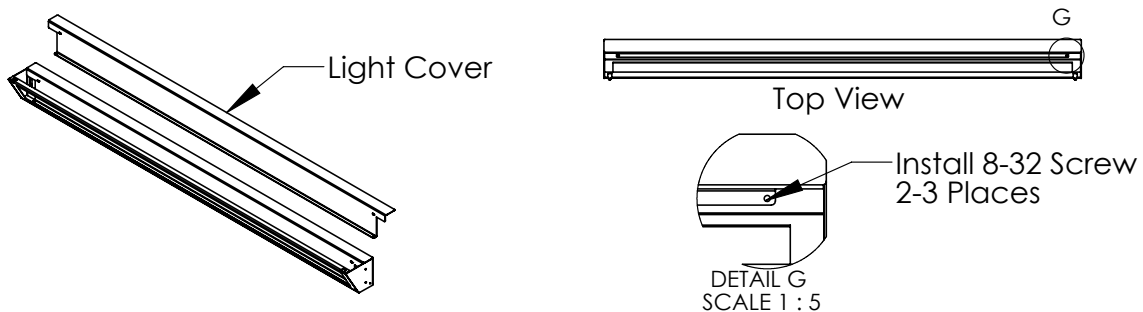
Before proceeding to power supply wiring, make sure the MC cable is brought in through the wall and into the chassis knockout.

Insert ground wire in the grounded connector. Insert the power and neutral wires into the luminaire disconnect. The power wire is inserted into the black port (number 1) and the neutral wire is inserted into the white port (number 2)

4) Light Cover



Install the light cover after the electrical connection has been made. Fit the cover over the chassis and align the slots with the 8-32 holes in the chassis. Secure with the provided 8-32 screws at all threaded holes.

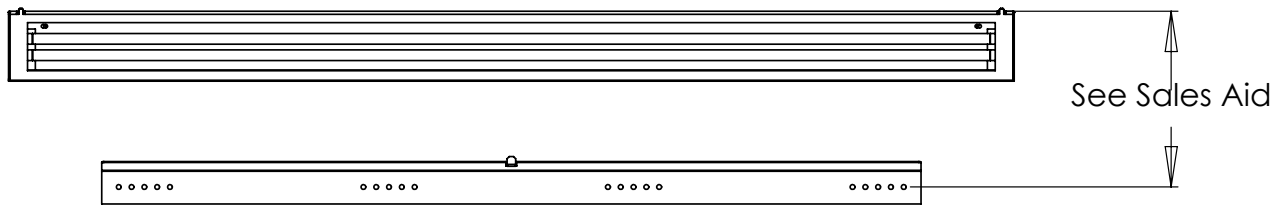


5) Install Lamps

Lamps should fit within the lamp holders provided in chassis. Rotate lamps to lock into place

6. Non-Lighted Mirror Mounting

Mount the wall hanger to the wall using the provided screws. The distance should be controlled according to the Sales Aids.

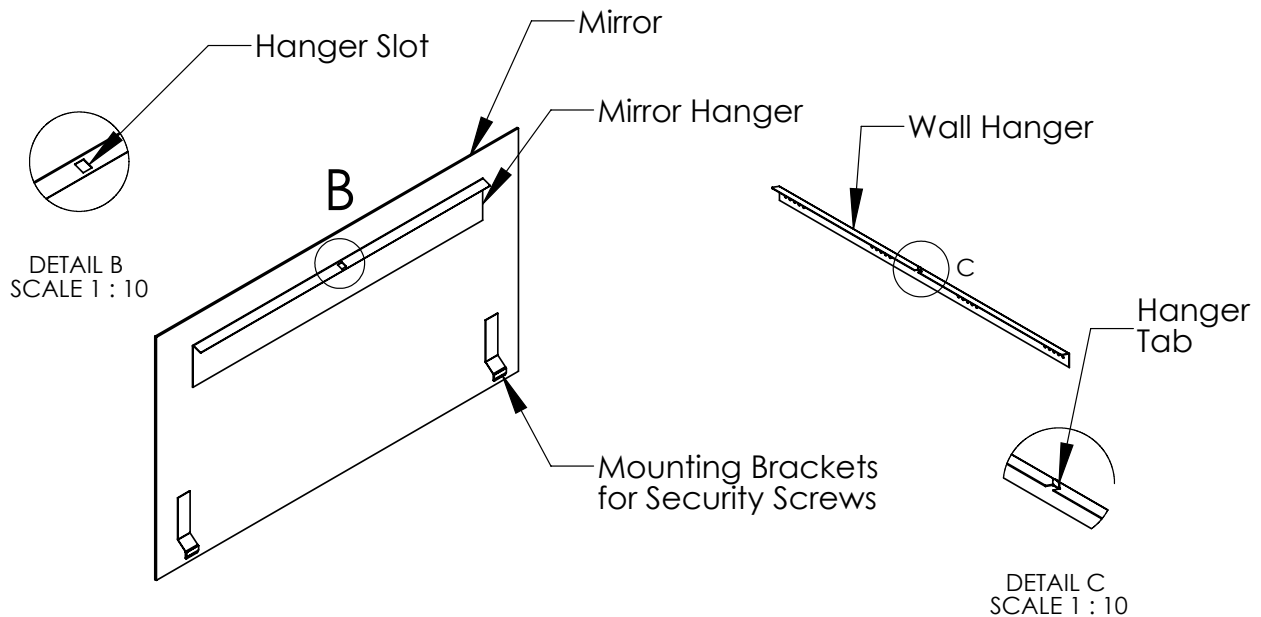


7. Mirror Mounting

After the wiring process is complete, the mirrors are ready to be hung. The weight of the mirror is supported at the top of the chassis/hanger. The mounting brackets at the bottom of the mirror keep the mirror from moving away from the wall.

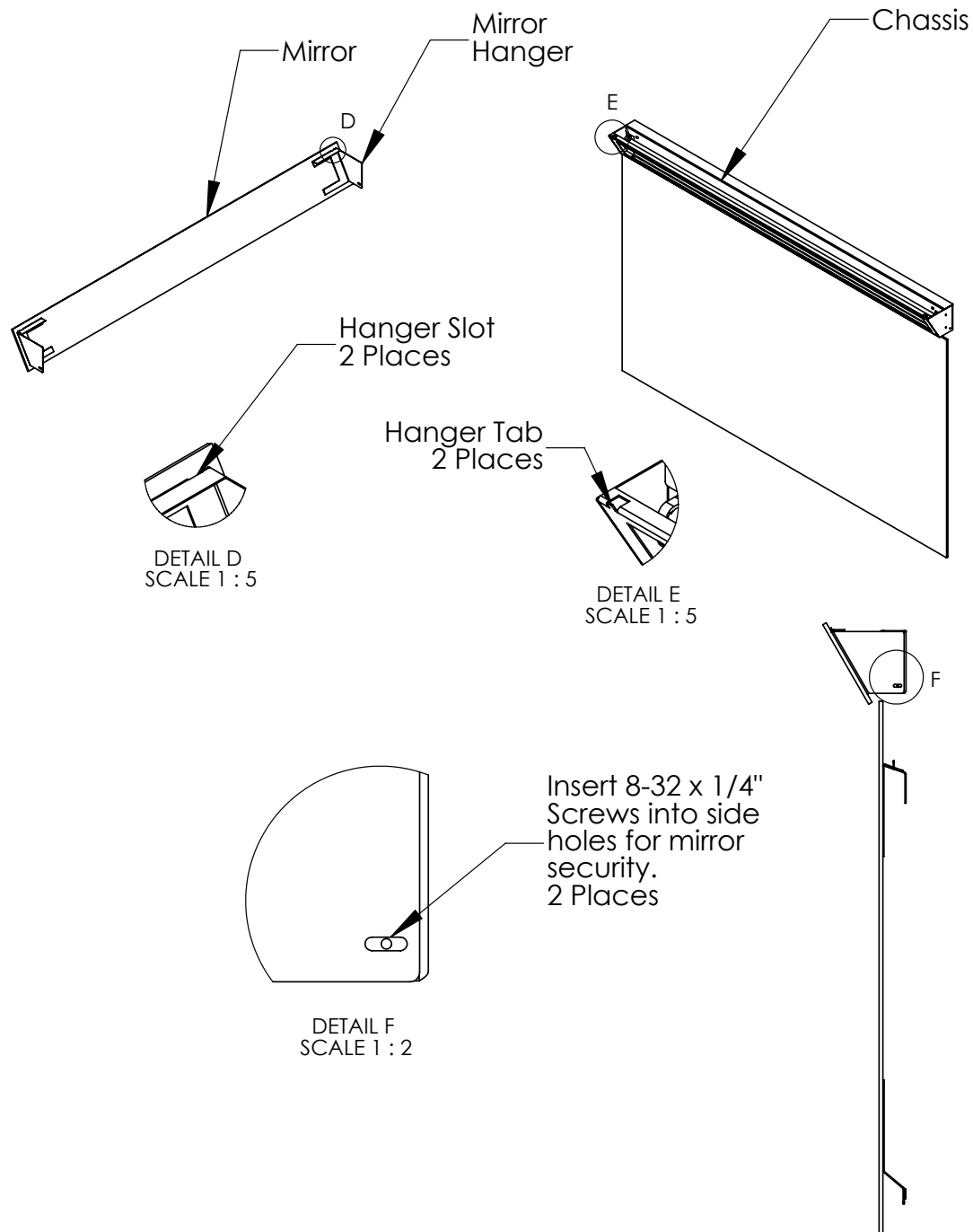
Hang the mirror on the wall hanger by aligning the chassis tabs through the mirror hanger slots while holding the mirror against the chassis. Slide the mirror down, inserting the chassis tabs into the hanger slots. Make sure both tabs are engaged through hanger slots, then mark the locations for the security screws. Once the security screws are installed, re-hang the mirror on the chassis, again making sure that both chassis tabs are in the hanger slots. Lock the mirror in place with the security screws.

Alternatively, if Dual-Lock Velcro is to be used, simply mark the locations and apply on the wall.



7. Mirror Mounting (continued)

Once the Non-Lighted mirror is mounted, you can mount the Boulevard mirror. Follow the same steps, by mounting the mirror on the chassis.



PROPRIETARY AND CONFIDENTIAL: The information contained in this specification is the sole property of Electric Mirror®. Any reproduction in part or in whole without written permission from Electric Mirror® is prohibited.