



ELIXIR™

PRODUCT DESCRIPTION

Bold and luminous, the Elixir™ makeup mirror combines crisp, natural-looking LED lighting with a striking square design and 5X magnification—perfect for precise, flawless makeup application.

SPECIFICATION STATEMENT

Solution shall consist of an 8" square lighted makeup mirror with forward-facing task lighting and corrosion-resistant glass. Mirror shall have 5X magnification over a normal reflection and an adjustable viewing angle for precise positioning. Entire mirror perimeter shall be backlit using energy-efficient LED lighting technology with a 90+ CRI (Color Rendering Index). Product will have a 1-year limited warranty.

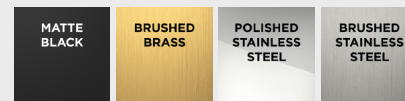
THE ELECTRIC MIRROR ADVANTAGE

- ✓ Global mirror technology leader for over 25 years
- ✓ More installations than all competitors combined
- ✓ Realistic warranty you can believe in and trust
- ✓ Lowest total cost of ownership
- ✓ U.S.-based customer service support
- ✓ 125,000-square-foot American manufacturing facility

FEATURES AND BENEFITS

- Corrosion-resistant mirror glass
- Forward-facing task lighting for ideal makeup application and grooming
- 5X magnification
- Up-and-down tilt
- Side-to-side swivel
- Wall-mounted (hardwired)
- Suitable for damp bathroom environments
- Energy efficient
- Easy installation
- 1-year limited warranty
- Designed in USA

STANDARD FINISHES



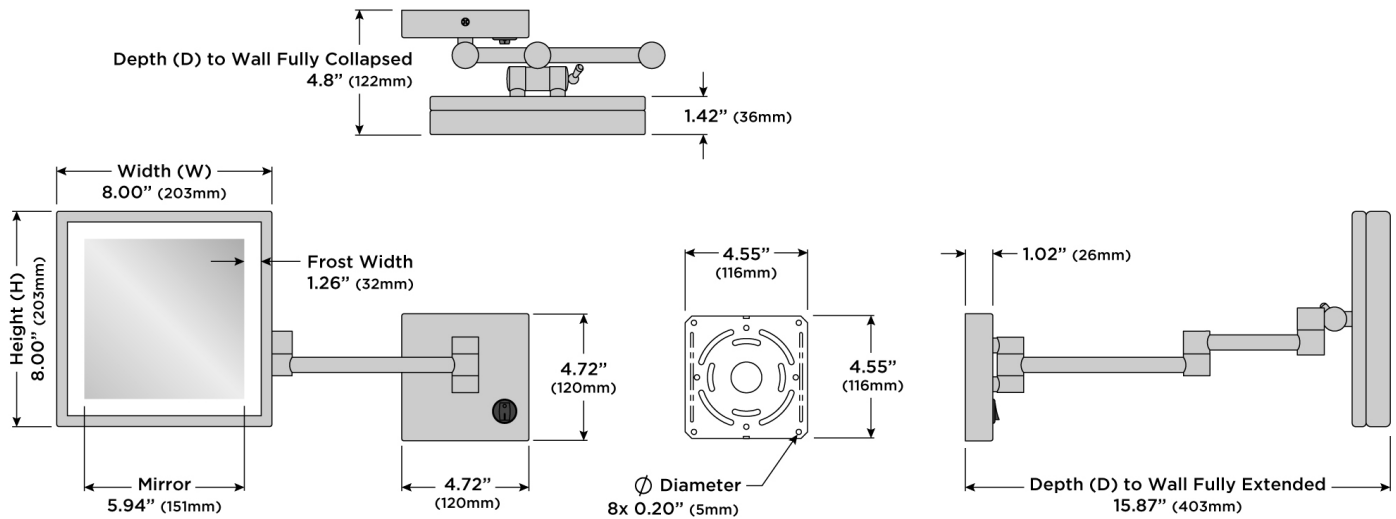
LIGHTING SPECIFICATIONS

- Natural-looking LED light color
- Superior color rendering: 90+ CRI
- Color temperature (CCT): 3,000K

SAFETY SPECIFICATIONS

- Entire assembly meets UL/cUL standards

DIMENSIONAL DRAWINGS (Not to scale.)



STANDARD MODELS

| Model Number ¹ | Finish | Model Type | Dimensions ² | Power Requirements ³ |
|---------------------------|----------------------------------|-----------------------------|--|---------------------------------|
| MM-ELX-WM-BK05 | Matte Black (BK-05) | Wall-mounted (hardwired) | 8" W x 8" H x 4.8"—15.87" D (203mm W x 203mm H x 122mm—403mm D) | 120VAC, 6W |
| MM-ELX-WM-BR02 | Brushed Brass (BR-02) | | | |
| MM-ELX-WM-SS01 | Polished Stainless Steel (SS-01) | | | |
| MM-ELX-WM-SS02 | Brushed Stainless Steel (SS-02) | | | |

INSTALLATION SPECIFICATIONS (for Standard Models)

- 120VAC hardwire electrical connection
- Requires a standard 3.5" or 4" octagonal electrical box
- Controlled by on/off switch on fixture
- Fixture can only be hung in the WxH orientation as shown; fixture is not field-interchangeable

¹ Standard model numbers shown. For assistance specifying additional options, please contact Electric Mirror.

² Tolerances for dimensions are ±1/8" (±3mm).

³ Lumen output and power requirements are calculated based on component specifications and may vary from actual.